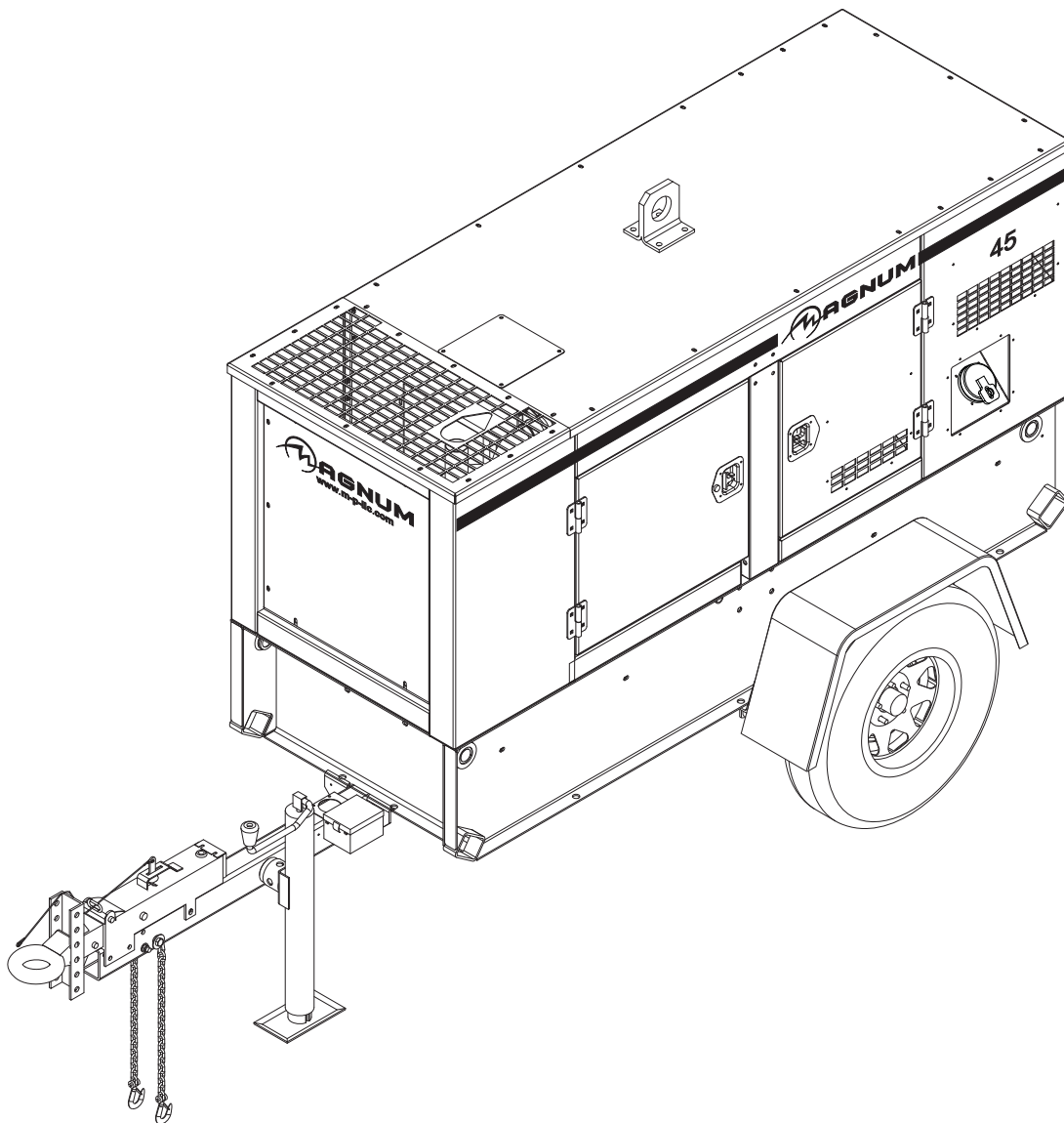




DIESEL GENERATOR MMG45K



PARTS MANUAL

INTRODUCTION

Before servicing this machine, make sure the engine start switch is turned to off "O", the circuit breakers are open (off, "O"), the emergency stop switch is closed (pushed in), and the negative (-) terminal on battery is disconnected. Attach a "DO NOT START" sign to the control panel. This will notify everyone that the unit is being serviced and will reduce the chance of someone inadvertently trying to start the unit. If the unit is connected to a remote start or transfer switch, make sure the remote switch is also off and tagged.

▲ WARNING

Before operating or servicing this equipment, read and understand the Magnum Operating Manual which was included with the unit when shipped from the factory. Failure to do so increases the risk of injury to yourself or others.

MAGNUM POWER PRODUCTS LLC

215 Power Drive • Berlin, WI 54923

U.S.A.

Phone: 920-361-4442

FAX: 920-361-4416

Toll Free: 1-800-926-9768

www.m-p-llc.com

For technical or parts QUESTIONS, please contact Magnum Power Products' Customer Support or Technical Support team at 1-800-926-9768. Please have your serial number available.

To ORDER SERVICE PARTS, please contact the dealer from which you purchased the unit, or call Magnum Power Products to locate a dealer in your area.

Engine Make: _____

Engine Serial Number: _____

Engine Model Number: _____

Generator Make: _____

Generator Model Number: _____

Generator Serial Number: _____

Unit Model Number: _____

Unit Serial Number: _____

▲ WARNING

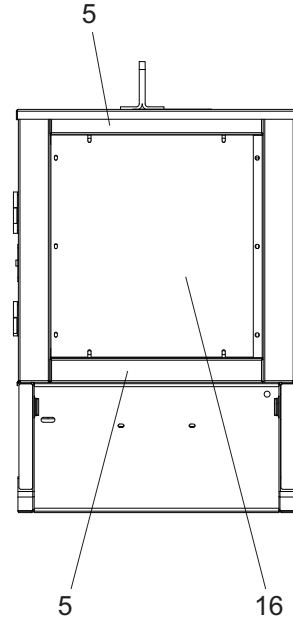
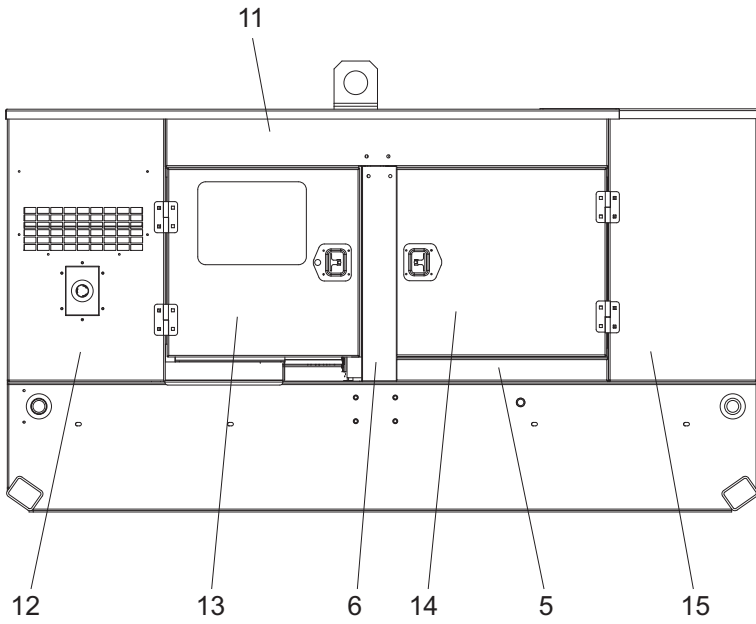
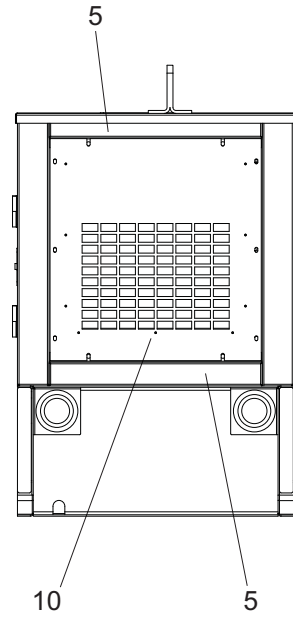
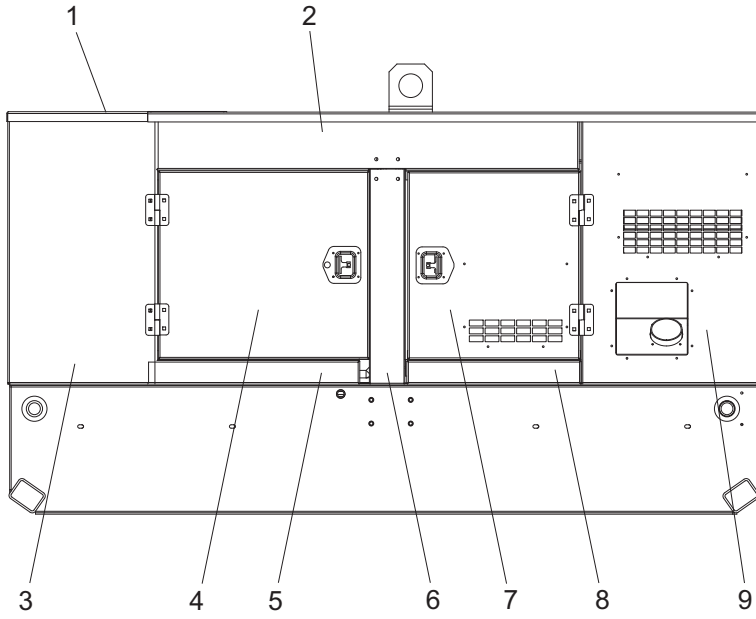
CALIFORNIA PROPOSITION 65 WARNING:

Diesel engine exhaust and some of its constituents are known to the state of California to cause cancer, birth defects and other reproductive harm.

TABLE OF CONTENTS

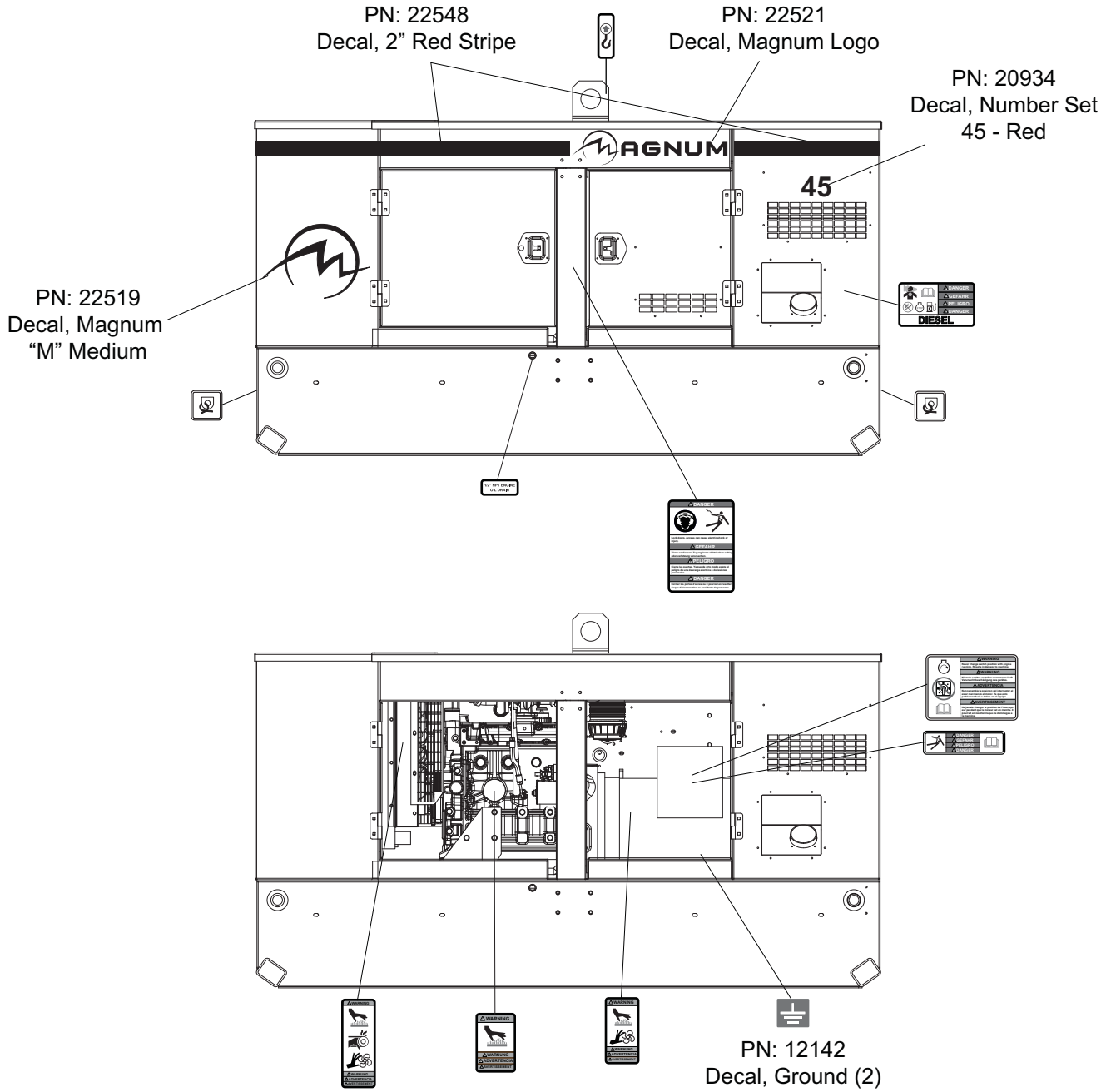
	Page
INTRODUCTION	2
ENCLOSURE PANELS	4
UNIT DECALS	6
LUG BOX DOOR ASSEMBLY	9
LUG PLATE ASSEMBLY	10
CAM LOCK PANEL ASSEMBLY	11
OUTLET PANEL ASSEMBLY	12
CONTROL PANEL ASSEMBLY	13
CONTROL BOX ASSEMBLY	14
OUTLET PANEL, CONTROL PANEL, & CONTROL BOX ASSEMBLY	16
AIR FILTER ASSEMBLY	18
EXHAUST SYSTEM ASSEMBLY	19
FUEL TANK ASSEMBLY	20
ENGINE ASSEMBLY	22
GENERATOR ASSEMBLY	24
GENERATOR BOX ASSEMBLY	26
SKID ASSEMBLY	28
COOLING SYSTEM ASSEMBLY	30
ENGINE TO SKID ASSEMBLY	32
SMALL SIDE & END PANEL ASSEMBLIES	34
FRONT CORNER ASSEMBLY	35
LEFT REAR CORNER ASSEMBLY	36
RIGHT REAR CORNER ASSEMBLY	38
LEFT FRONT DOOR ASSEMBLY	39
RIGHT FRONT DOOR ASSEMBLY	40
LEFT REAR DOOR ASSEMBLY	41
CONTROL DOOR ASSEMBLY	42
END PANEL ASSEMBLIES	43
SIDE PANEL ASSEMBLIES	44
ROOF ASSEMBLY	45
TRAILER ASSEMBLY - SINGLE AXLE	46
TRAILER ASSEMBLY - TANDEM AXLE	48
BRAKE LINES - SINGLE AXLE	50
BRAKE LINES - TANDEM AXLE	51

ENCLOSURE PANELS



ITEM	PAGE	QTY	DESCRIPTION
1	<i>Page 45</i>	1	Roof panel assembly
2	<i>Page 44</i>	1	Left top side panel assembly
3	<i>Page 35</i>	1	Left front corner assembly
4	<i>Page 39</i>	1	Left front door assembly
5	<i>Page 34</i>	5	End/side panel assembly
6	<i>Page 44</i>	2	Center panel assembly
7	<i>Page 41</i>	1	Left rear door assembly
8	<i>Page 34</i>	1	Side panel assembly (short)
9	<i>Page 36</i>	1	Left rear corner assembly
10	<i>Page 43</i>	1	Rear panel assembly
11	<i>Page 44</i>	1	Right top side panel assembly
12	<i>Page 38</i>	1	Right rear corner assembly
13	<i>Page 42</i>	1	Control door assembly
14	<i>Page 40</i>	1	Right front door assembly
15	<i>Page 35</i>	1	Right front corner assembly
16	<i>Page 43</i>	1	Front panel assembly

UNIT DECALS



Located on tongue of trailered units:



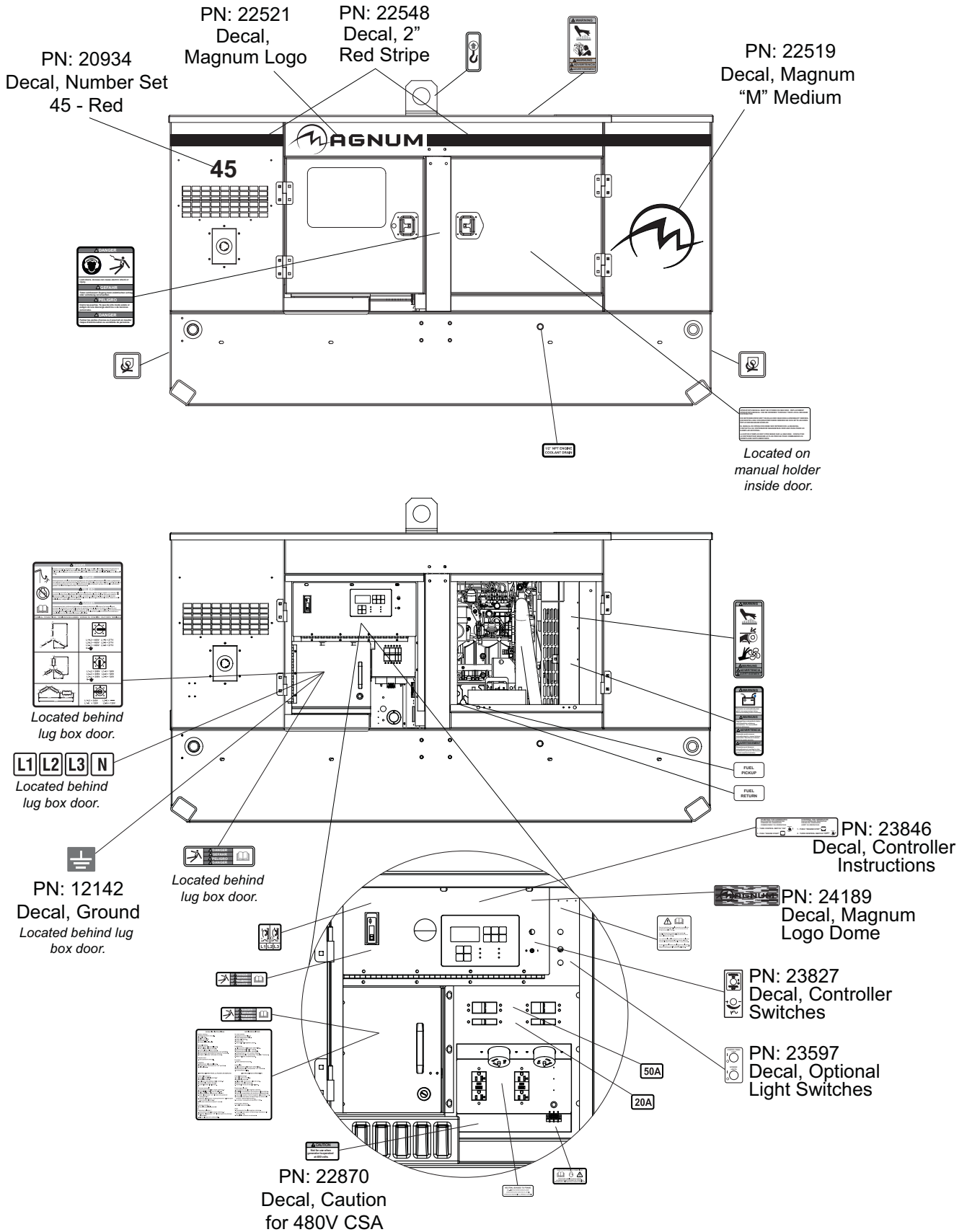
PN: 29003
Decal, Tire load ST 225/75R-15 5000



PN: 29011
Decal, Tire load ST205/75R-15 (TANDEM)

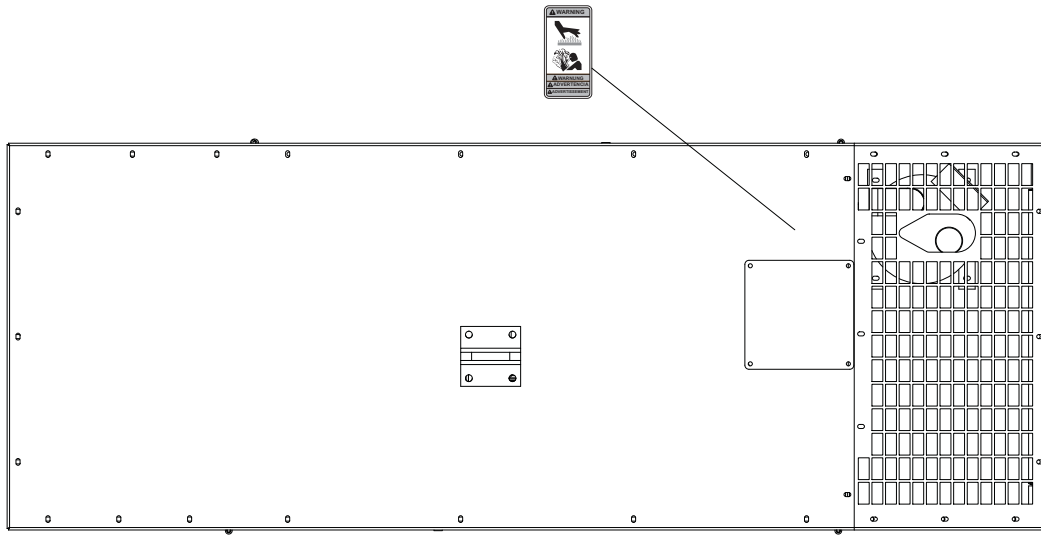
Note: All safety and operating decals are located on decal sheet 23599, unless otherwise noted.

UNIT DECALS (CONTINUED)

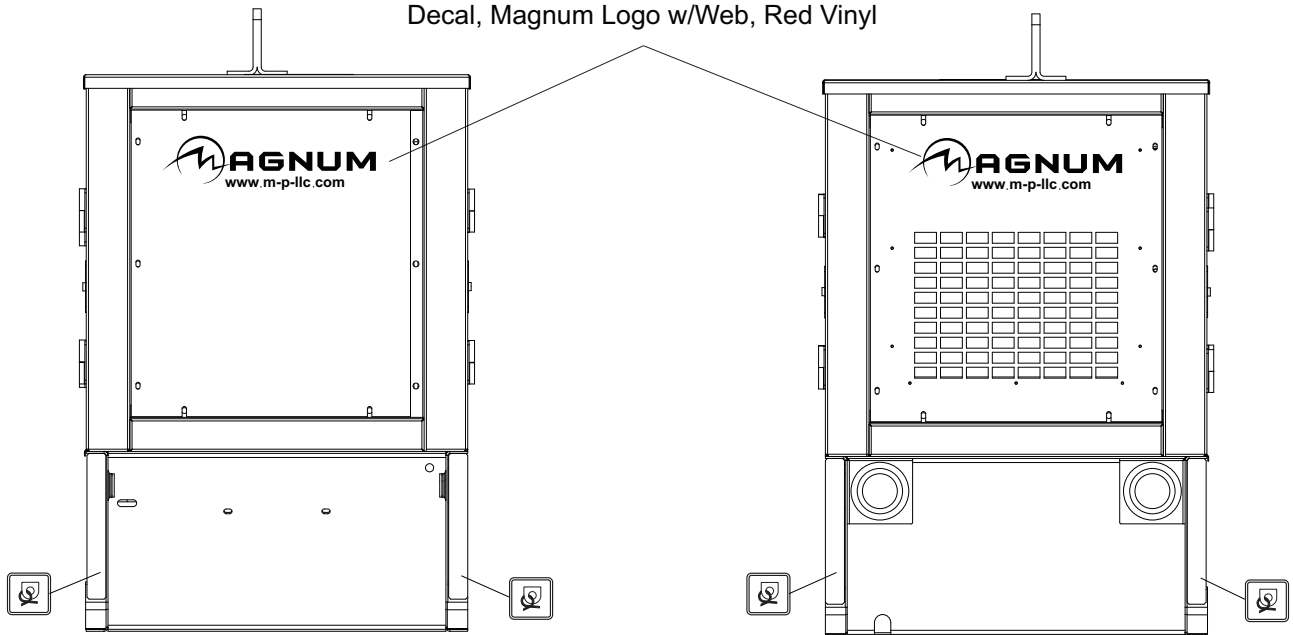


Note: All safety and operating decals are located on decal sheet 23599, unless otherwise noted.

UNIT DECALS (CONTINUED)

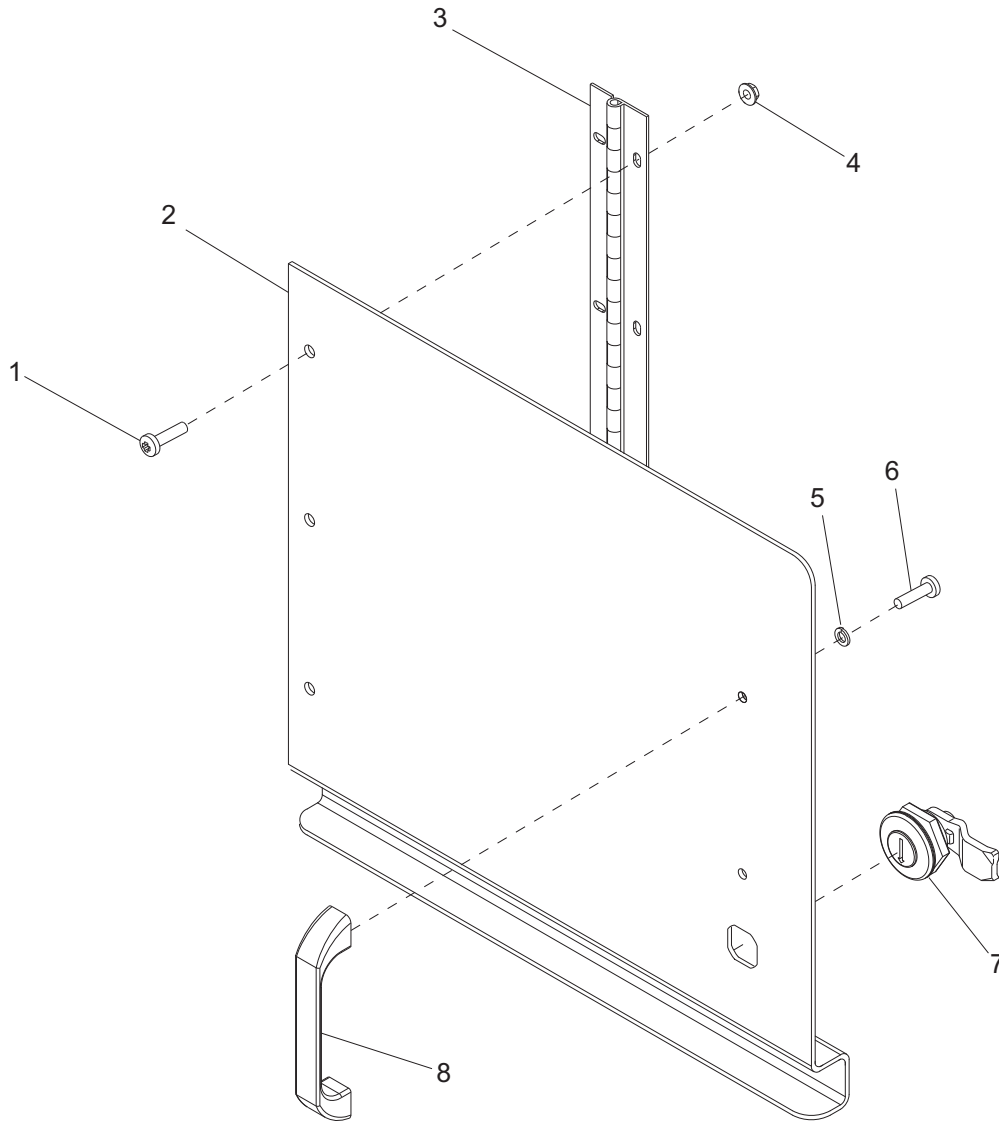


PN: 11275
Decal, Magnum Logo w/Web, Red Vinyl



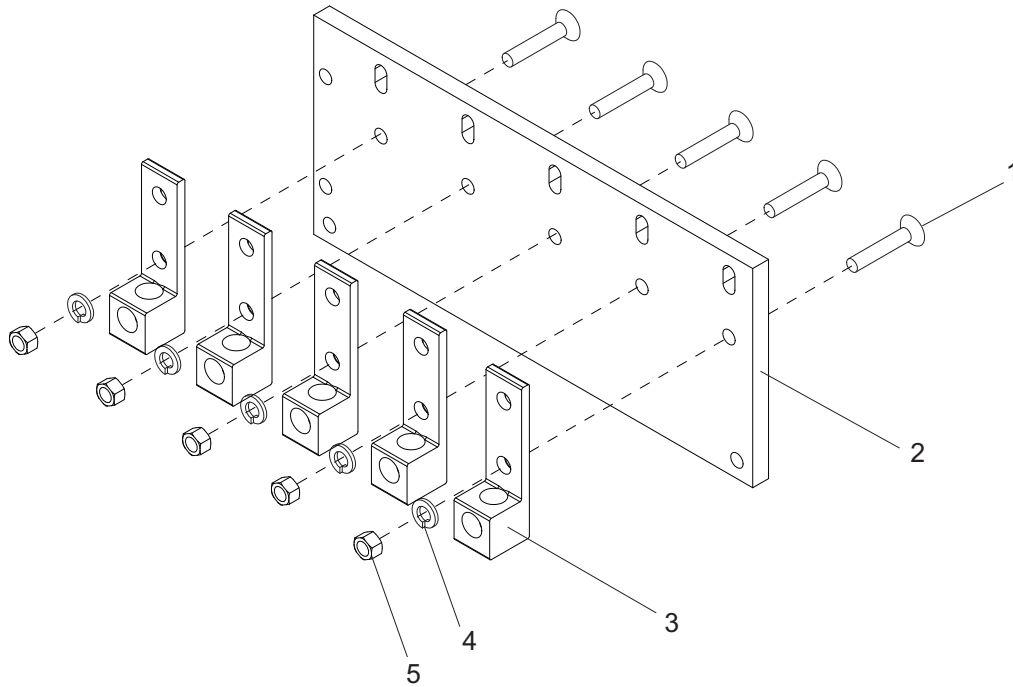
Note: All safety and operating decals are located on decal sheet 23599, unless otherwise noted.

LUG BOX DOOR ASSEMBLY



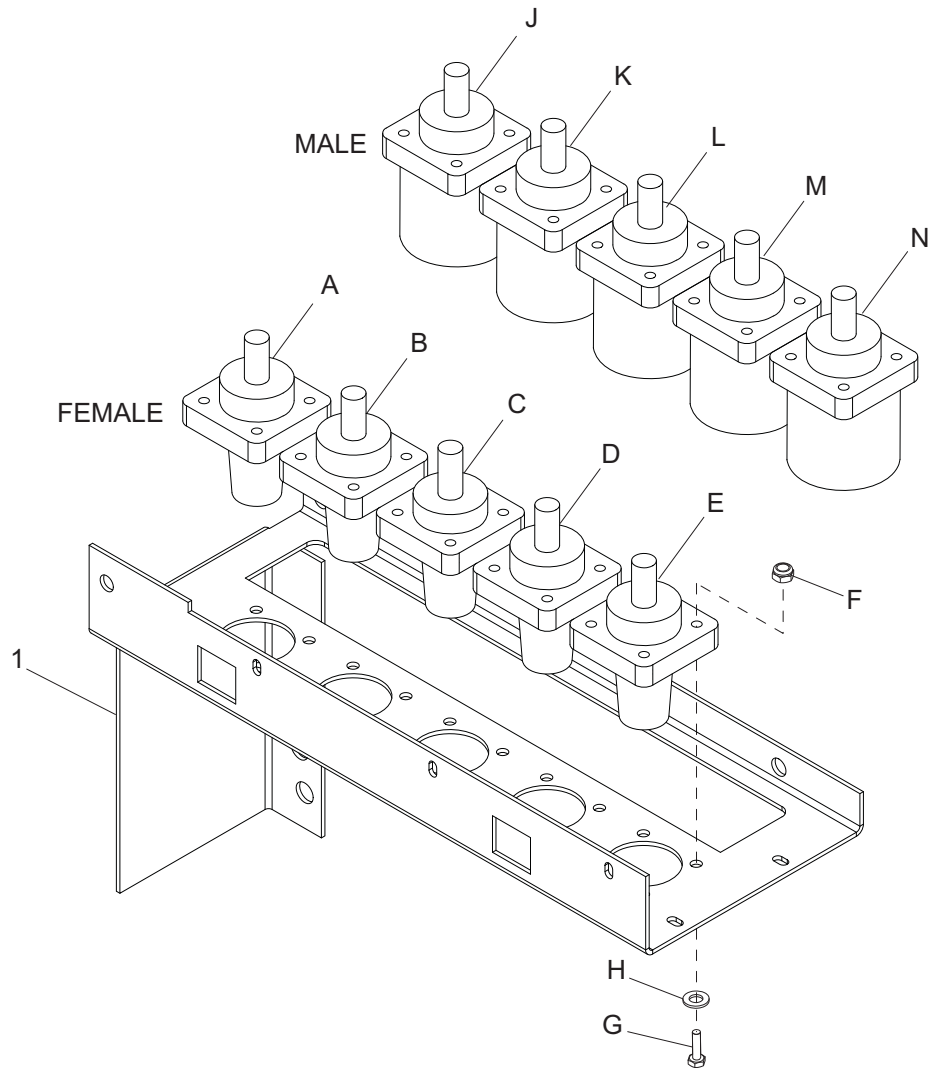
ITEM	PART NO.	QTY	DESCRIPTION	NOTES
1	60398	3	Screw, 10-32X.500 pan phil, SS	
2	28570W	1	Door, lug box	
3	22018	1	Hinge, continuous - 10.25	
4	61045	3	Nut, 10-32 ser flg	
5	60252	2	Washer, split lock #10	
6	60068	2	Screw, 10-24X.500 pan phil	
7	12547	1	Assembly, cam lock, qrtr turn	
8	18893	1	Handle, lug door	

LUG PLATE ASSEMBLY



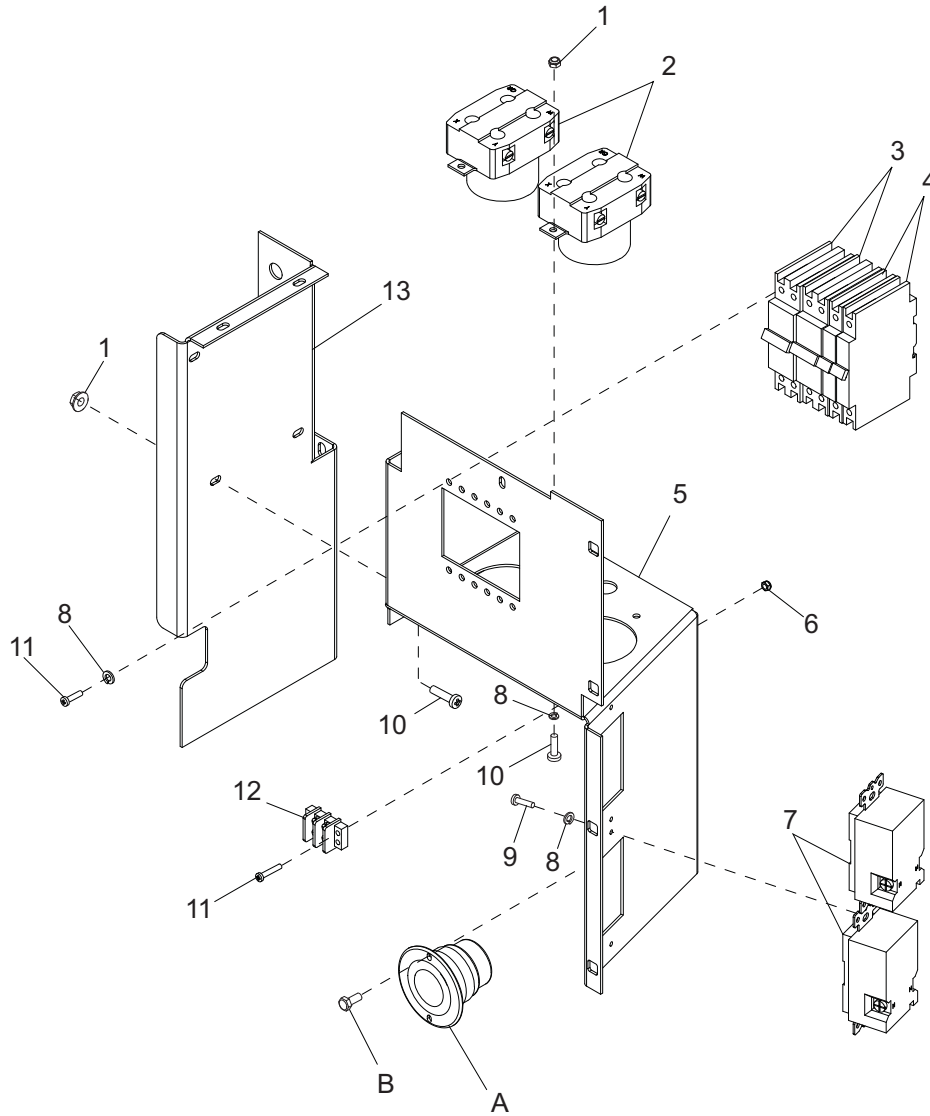
ITEM	PART NO.	QTY	DESCRIPTION	NOTES
1	61005	5	Screw, .375-16X1.750 flat hex	
2	27828	1	Panel, lug box glastic	
3	65677	5	Lug, terminal single #6-350MCM 2 hole	
4	60206	5	Washer, .375 split lock hardened	
5	60140	5	Nut, .375-16 hex	

CAM LOCK PANEL ASSEMBLY



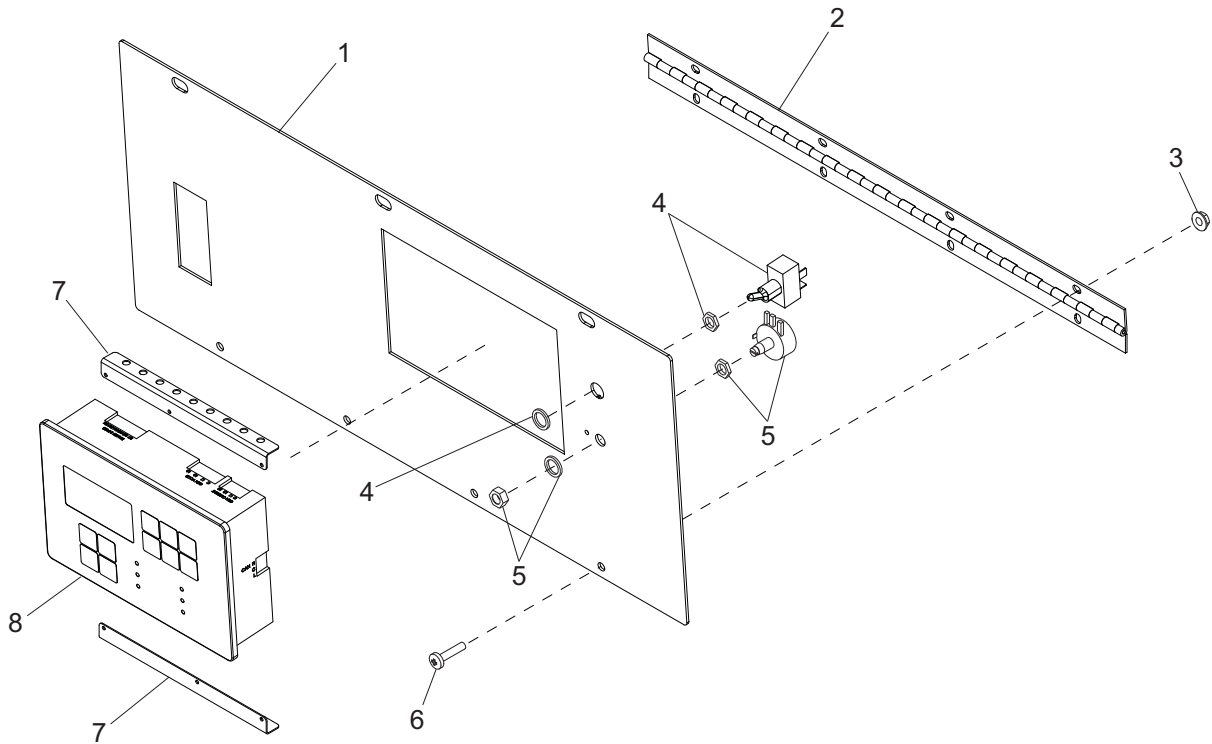
ITEM	PART NO.	QTY	DESCRIPTION	NOTES
1	27825B	1	Panel, lug box top	
A	65551	1	Conn. cam lock fm, 400A - black	Option: cam locks
B	65552	1	Conn. cam lock fml, 400A - red	Option: cam locks
C	65553	1	Conn. cam lock fml, 400A - blue	Option: cam locks
D	66040	1	Conn. cam lock fml, 400A - white	Option: cam locks
E	66041	1	Conn. cam lock fml, 400A - green	Option: cam locks
F	60061	20	Nut, 10-32 nylock	Option: cam locks
G	60397	20	Screw, 10-32x1.0 pan phil	Option: cam locks
H	60237	20	Washer, #10 flat	Option: cam locks
J	66037	1	Conn. cam lock male, 400A - black	Option: cam locks
K	66038	1	Conn. cam lock male, 400A - red	Option: cam locks
L	66039	1	Conn. cam lock male, 400A - blue	Option: cam locks
M	65554	1	Conn. cam lock male, 400A - white	Option: cam locks
N	65555	1	Conn. cam lock male, 400A - green	Option: cam locks

OUTLET PANEL ASSEMBLY



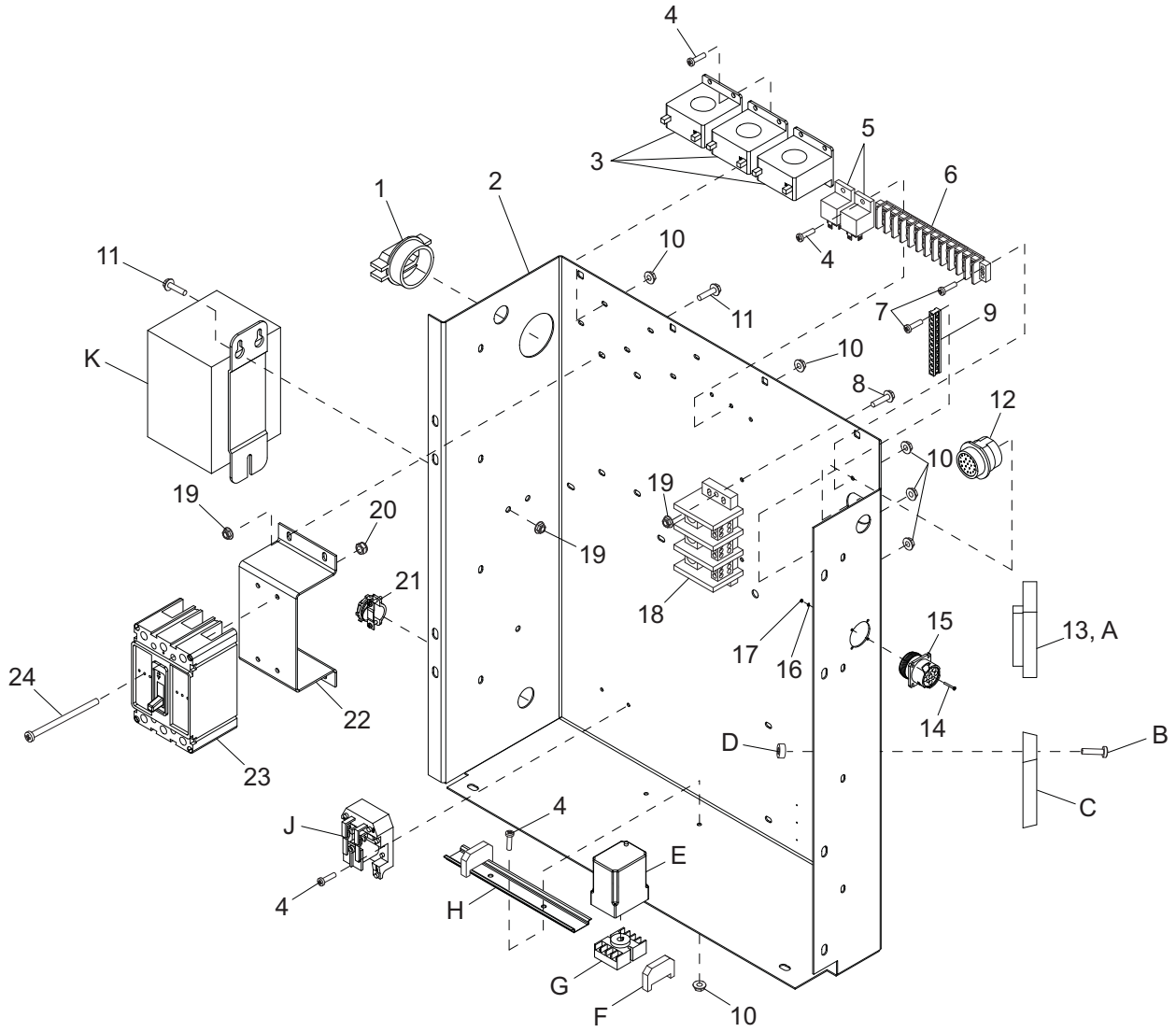
ITEM	PART	QTY	DESCRIPTION	NOTES
1	61045	6	Nut, 10-32 sflg	
2	18089	2	Receptacle, 240V/50A twist-lock	
3	18092	2	Breaker, 50A, 240V, 2 pole	
4	18091	2	Breaker, 20A, 240V, 1 pole	
5	27867B	1	Panel, outlet	
6	60290	2	Nut, 6-32 nylock, SS	
7	14130	2	Receptacle, 120V, 20A GFI	
8	60058	20	Washer, #6 split lock	
9	60405	4	Screw, 6-32x.250 pan phil	
10	60398	6	Screw, 10-32x.500 pan phil, SS	
11	60046	14	Screw, 6-32x.750 pan phil	
12	18890	1	Terminal block, 2 pos	
13	27864B	1	Panel, lug box side	
A	65285	1	Receptacle, 120V/15A inlet (5-15R)	Option: battery charger
B	60364	2	Screw, 10-16x.500 std hex, self drill	Option: battery charger

CONTROL PANEL ASSEMBLY



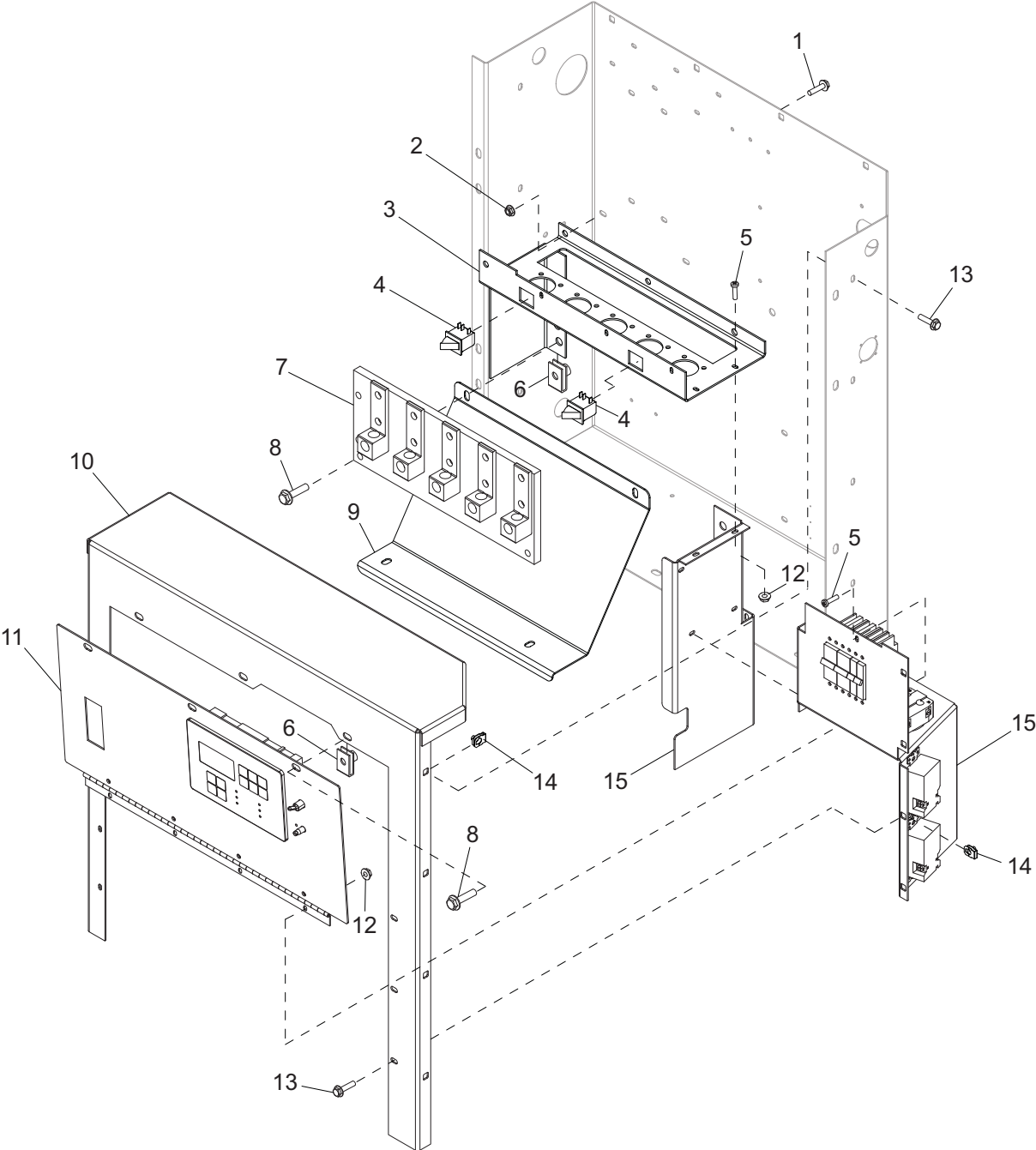
ITEM	PART	QTY	DESCRIPTION	NOTES
1	27827W	1	Panel, control	
2	18598	1	Hinge, controller panel - 18.75 in	
3	61045	4	Nut, 10-32 ser flg	
4	25077	1	Switch, toggle - SPST 20A VAC	
5	18113	1	Potentiometer 2.5K, 2 watt	
6	60398	4	Screw, 10-32x.500 pan phil, SS	
7	29893	2	Bracket, control board wire guide	
8	21201	1	Controller, eng/gen	
--	18934	1	Guard, potentiometer	Not shown
A	23025	1	Light, interior control panel	Option: control panel light
B	25077	1	Switch, toggle - SPST 20A VAC	Option: control panel light
C	25077	1	Switch, toggle - SPST 20A VAC	Option: interior light

CONTROL BOX ASSEMBLY



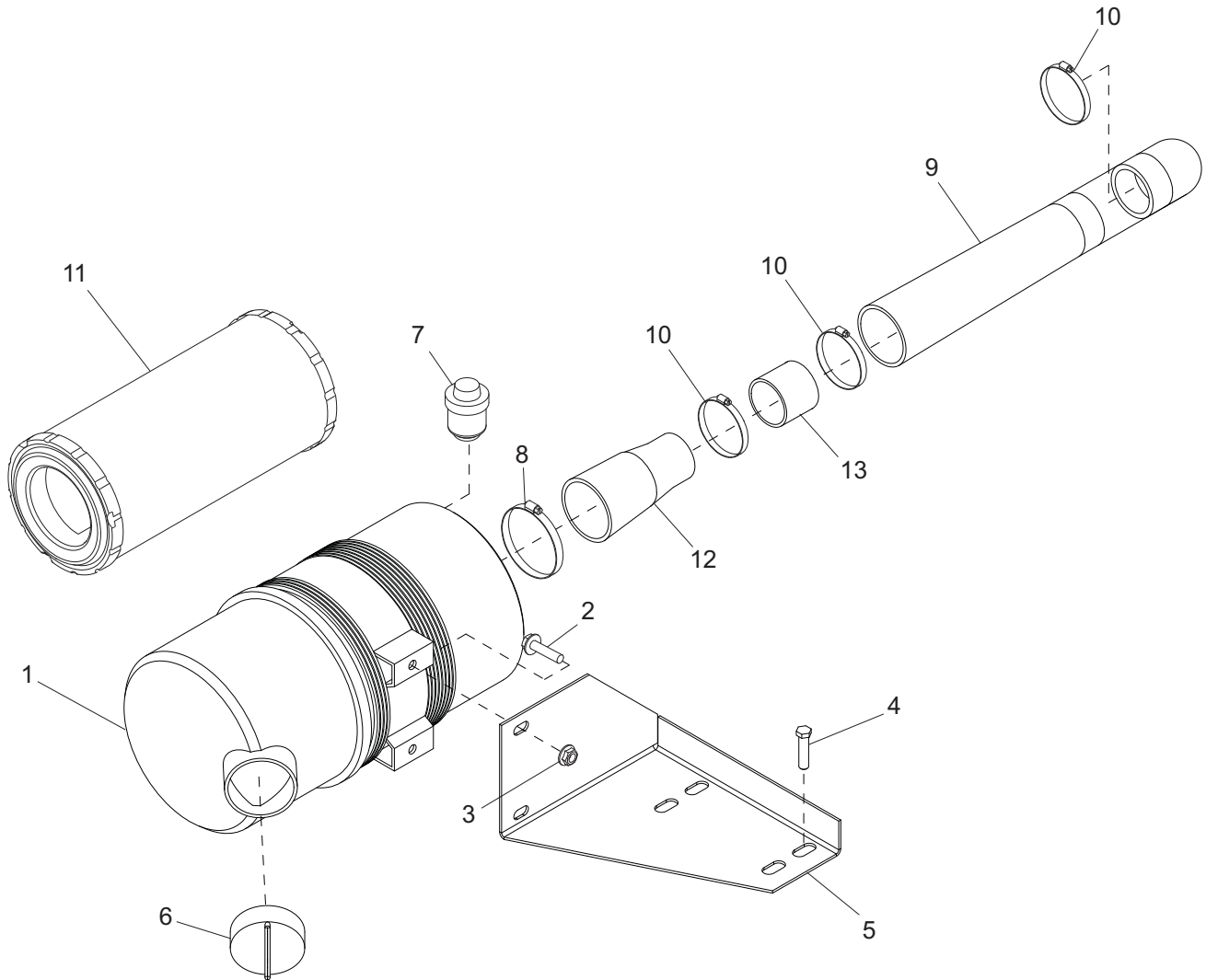
ITEM	PART	QTY	DESCRIPTION	NOTES
1	65788	1	Strain relief- 2.00 Romex w/nut	
2	27819B	1	Box, control	
3	65685	3	Transformer, current - terminals (200:5A)	
4	60398	8	Screw, 10-32x.500 pan phil, SS	
5	66455	2	Relay, 12V 70A N.C./80A N.O. w/diode	
6	14139	1	Block, terminal - 12 pos	
7	60062	4	Screw, 10-32x.750 pan phil	
8	60024	2	Screw, M6-1.00x25 ser flg hex	
9	14204	1	Kit, ground bar	
10	61045	18	Nut, 10-32 ser flg	
11	60115	7	Screw, M6-1.00x12 ser flg hex	
12	65309	1	Connector, 21 pin Deutsch	
13	18556	1	Regulator, voltage - SE350	
14	60757	4	Screw, 4-40x.750 pan phil	
15	66361	1	Connector, Deutsch - 9 pos plug	
16	60084	4	Washer, M4 flat	
17	60758	4	Nut, 4-40 nylock	
18	65356	1	Block, terminal - 3-pole, Bussman	
19	60036	9	Nut, M6-1.00 sflg lock	
20	60051	9	Nut, M4-.70 nylock	
21	14219	1	Strain relief - .75 Romex w/nut	
22	27890B	1	Bracket, breaker	
23	65565	1	Breaker, 200A - FG3200S18	
24	60159	4	Screw, M4-0.70 x 45 pan phil	
A	22729	1	Regulator, voltage - PM300	Option: only for use with PMG generator
B	60062	2	Screw, 10-32x.750 pan phil, G2	Option: battery charger
C	65326	1	Charger, battery - 2A, 3-stage	Option: battery charger
D	61045	2	Nut, 10-32 sflg	Option: battery charger
E	66340	1	Relay, volt sensing (132V in 126V out)	Option: buck transformer
F	65674	2	Stop, 35MM din rail end	Option: buck transformer
G	65644	1	Base, relay - 8 pos.	Option: buck transformer
H	65673	1	Rail, din - 35MM X 9.00"	Option: buck transformer
J	65461	1	Relay, 30A DPDT 120VAC power	Option: buck transformer
K	21487	1	Transformer, 1.13:1 1-phase 500VA	Option: buck transformer

OUTLET PANEL, CONTROL PANEL, & CONTROL BOX ASSEMBLY



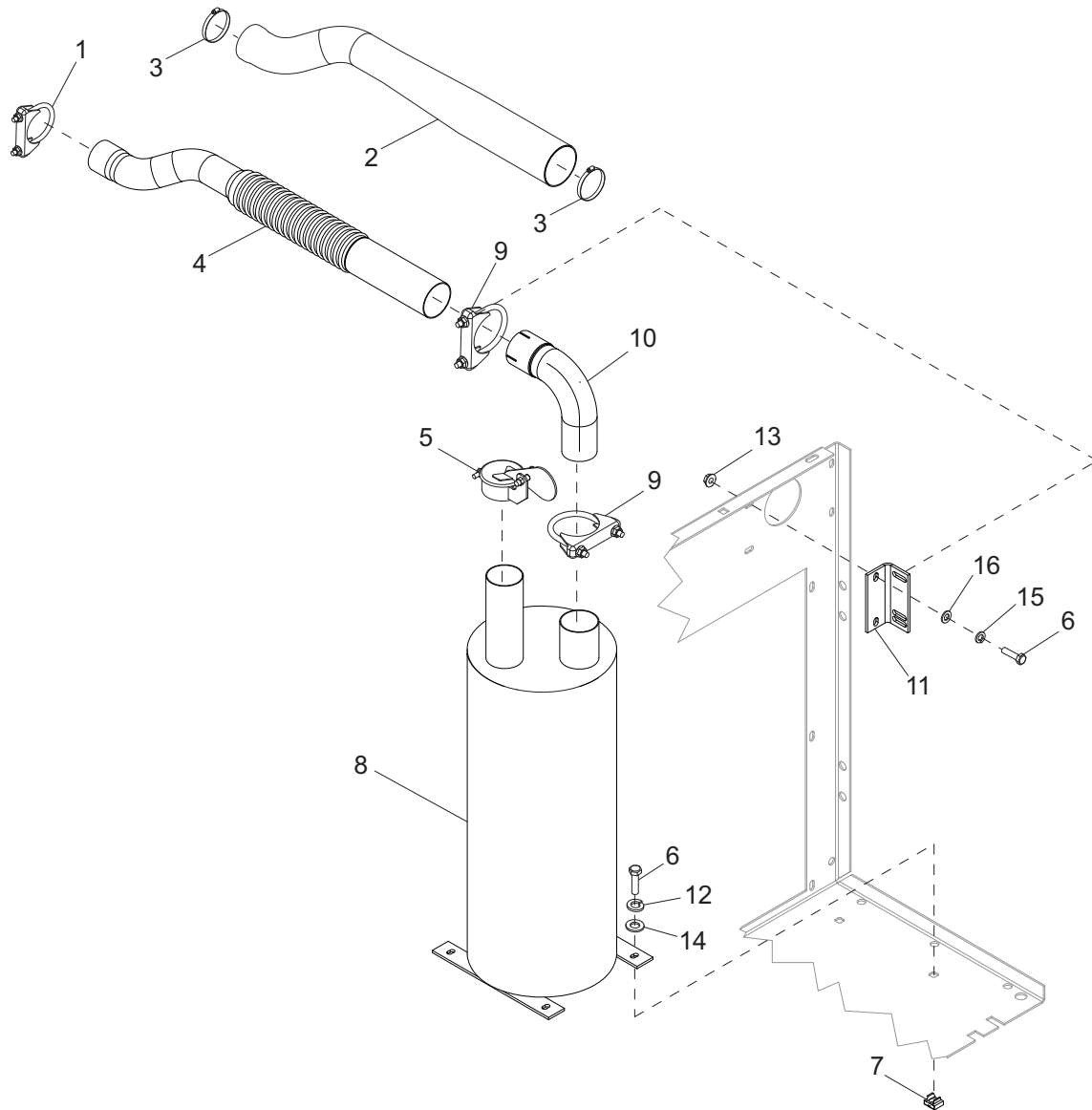
ITEM	PART	QTY	DESCRIPTION	NOTES
1	60115	3	Screw, M6-1.00x12 ser flg hex	
2	60036	3	Nut, M6-1.00 ser flg lock	
3	27825B	1	Panel, lug box top	
4	12632	2	Switch, trigger safety, N.O. & N.C.	
5	60398	6	Screw, 10-32x.500 pan phil, SS	
6	60505	6	Nut, .312-18 U-clip	
7	Page 10	1	Assembly, lug plate	
8	61091	6	Screw, .312-18x1.00 ser flg hex	
9	27866B	1	Panel, lug box outlet	
10	27826W	1	Panel, control box cover	
11	Page 13	1	Assembly, control panel	
12	61045	6	Nut, 10-32 ser flg	
13	60175	16	Screw, .250-20x.500 ser flg hex	
14	15424	16	Nut, .250-20 cage	
15	Page 12	1	Assembly, outlet panel	

AIR FILTER ASSEMBLY



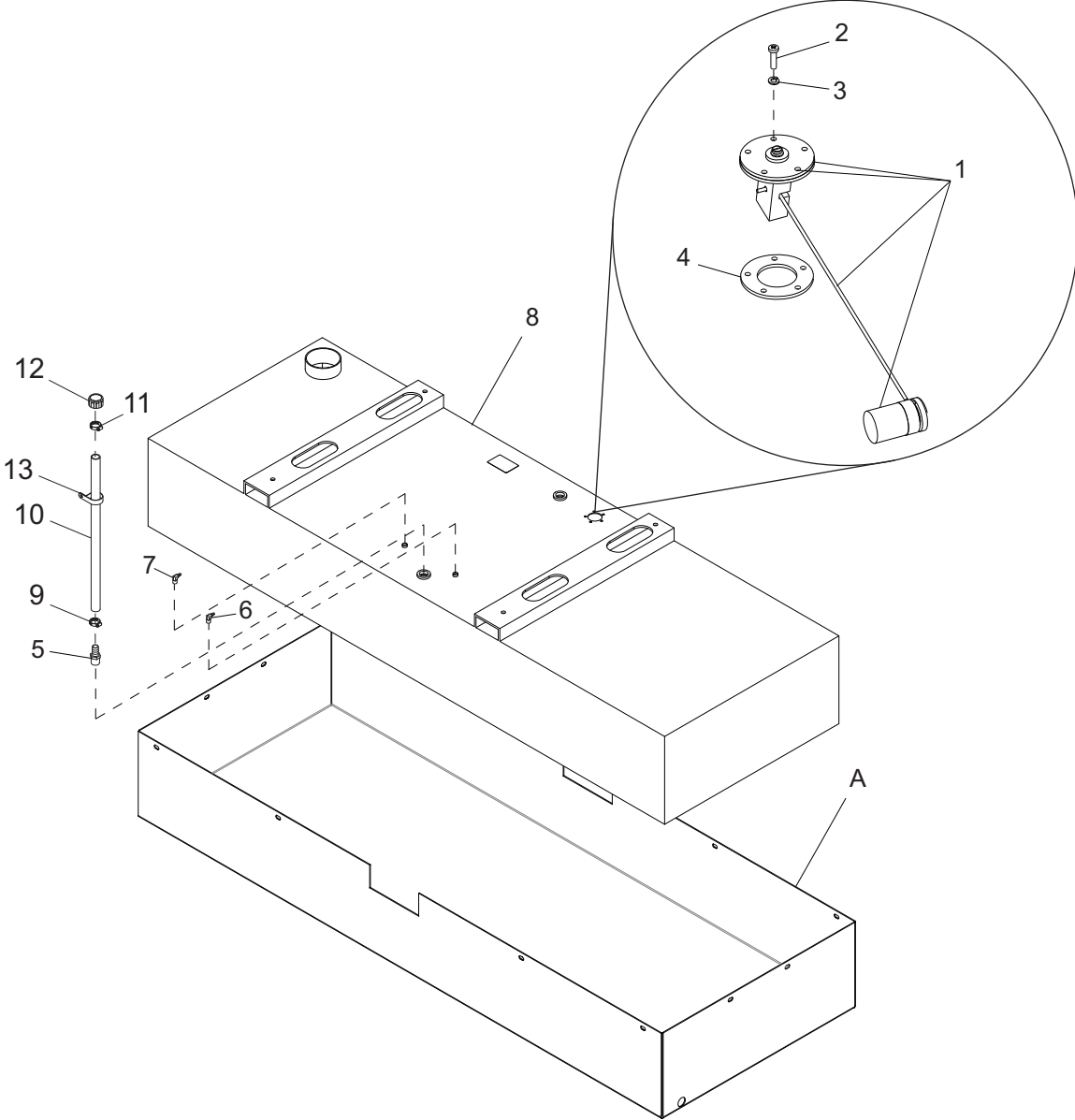
ITEM	PART NO.	QTY	DESCRIPTION	NOTES
1	22967	1	Filter, air	
2	60616	2	Screw, .312-18x.750 sflg hex, G5	
3	60095	2	Nut, .312-18 sflg	
4	60762	4	Screw, M12-1.25x20 std hex, G10.9	
5	27740B	1	Bracket, air filter	
6	19277	1	Cap, dust ejector	
7	24518	1	Gauge, filter restriction	
8	19336	1	Clamp, hose - SAE 044 (2.31-3.25)	
9	20450	1	Hose, air intake	
10	60316	3	Clamp, hose - SAE 032 (1.56-2.50)	
11	22874	1	Element, air filter	
12	26159	1	Hose, C.A.C. - 2.00-3.00 x 6.5	
13	27984	1	Pipe, air filter	

EXHAUST SYSTEM ASSEMBLY



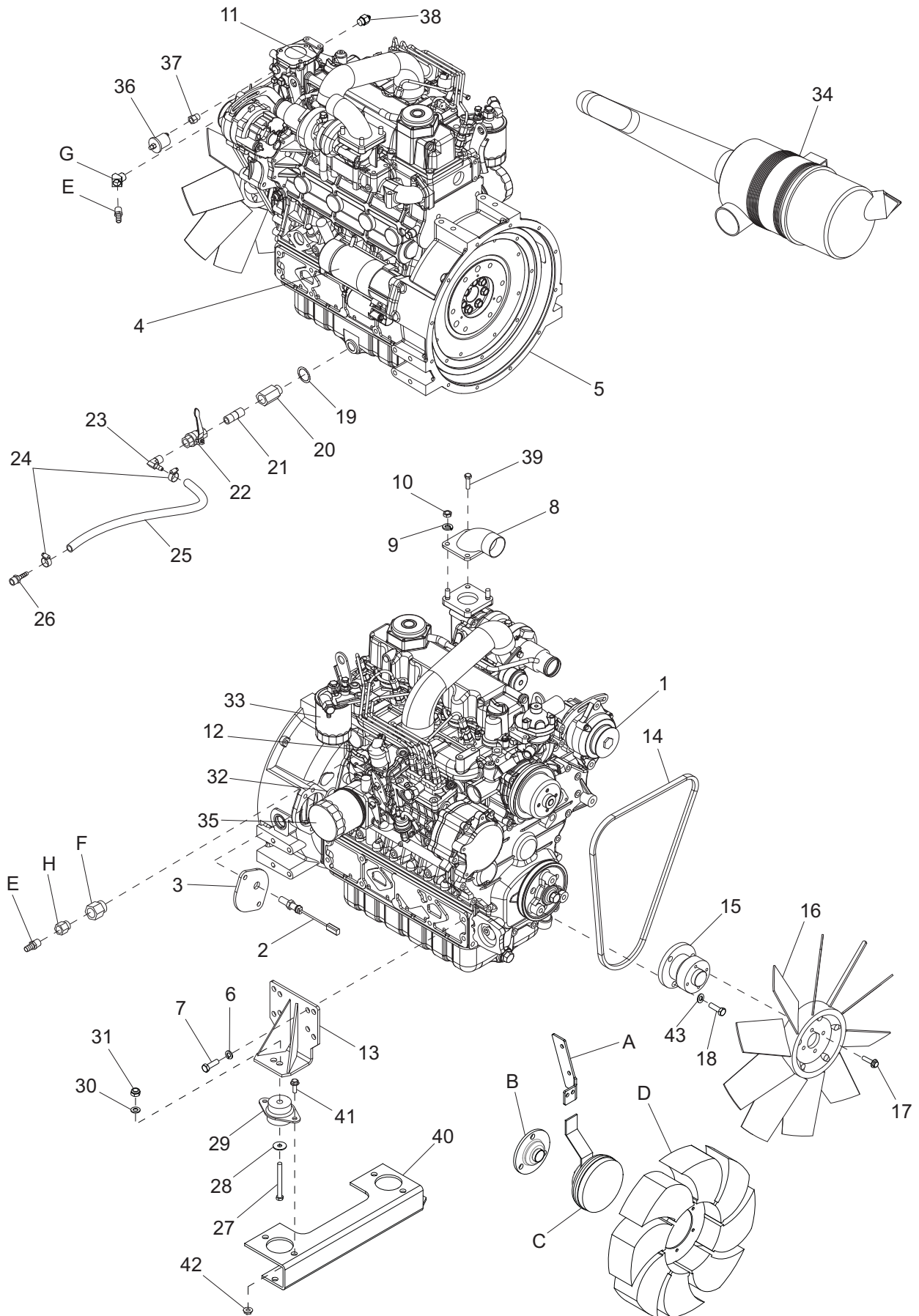
ITEM	PART NO.	QTY	DESCRIPTION	NOTES
1	18823	1	Clamp, muffler - 2.00	
2	26479	4 ft.	Sleeve, high temp - 3.00	
3	19336	2	Clamp, hose - SAE 044	
4	27980	1	Pipe, exhaust	
5	25647	1	Cap, rain - 2.50	
6	60507	6	Screw, .312-18x1.0 std hex, SS	
7	15425	4	Nut, .312-18 cage	
8	27963	1	Muffler, exhaust	
9	15550	2	Clamp, muffler - 2.5"	
10	27942	1	Pipe, exhaust	
11	26721B	1	Bracket, muffler support	
12	60701	4	Washer, .312 split lock, SS	
13	60095	2	Nut, .312-18 sflg	
14	60340	4	Washer, .312 flat, SS	
15	60703	2	Washer, .375 split lock, SS	
16	60119	2	Washer, .312 flat	

FUEL TANK ASSEMBLY



ITEM	PART	QTY	DESCRIPTION	NOTES
1	20571	1	Sender, fuel	
2	60062	5	Screw, 10-32X.750 pan hd phil	
3	60252	5	Washer, #10 split lock	
4	22323	1	Gasket, fuel sending unit	
5	21451	1	Fitting, strt - 1.00MNPTx1.00 barb	
6	15693	1	Fitting, 90-.250NPTX.312 barb brs	
7	16271	1	Fitting, 90-.250NPTX.188 barb	
8	27719B	1	Tank, fuel - 110 gal	
9	19338	1	Clamp, hose - SAE 016 (.68-1.50)	
10	50169	2.58 ft	Hose, 1.0"	
11	62040	1	Clamp, hose - 1.5	Crimp style
12	26379	1	Vent, plastic fuel 1.0 ID	
13	60716	1	Clamp, tubing - 1.5	
A	23065B	1	Pan, 24 hr. containment	Option: containment

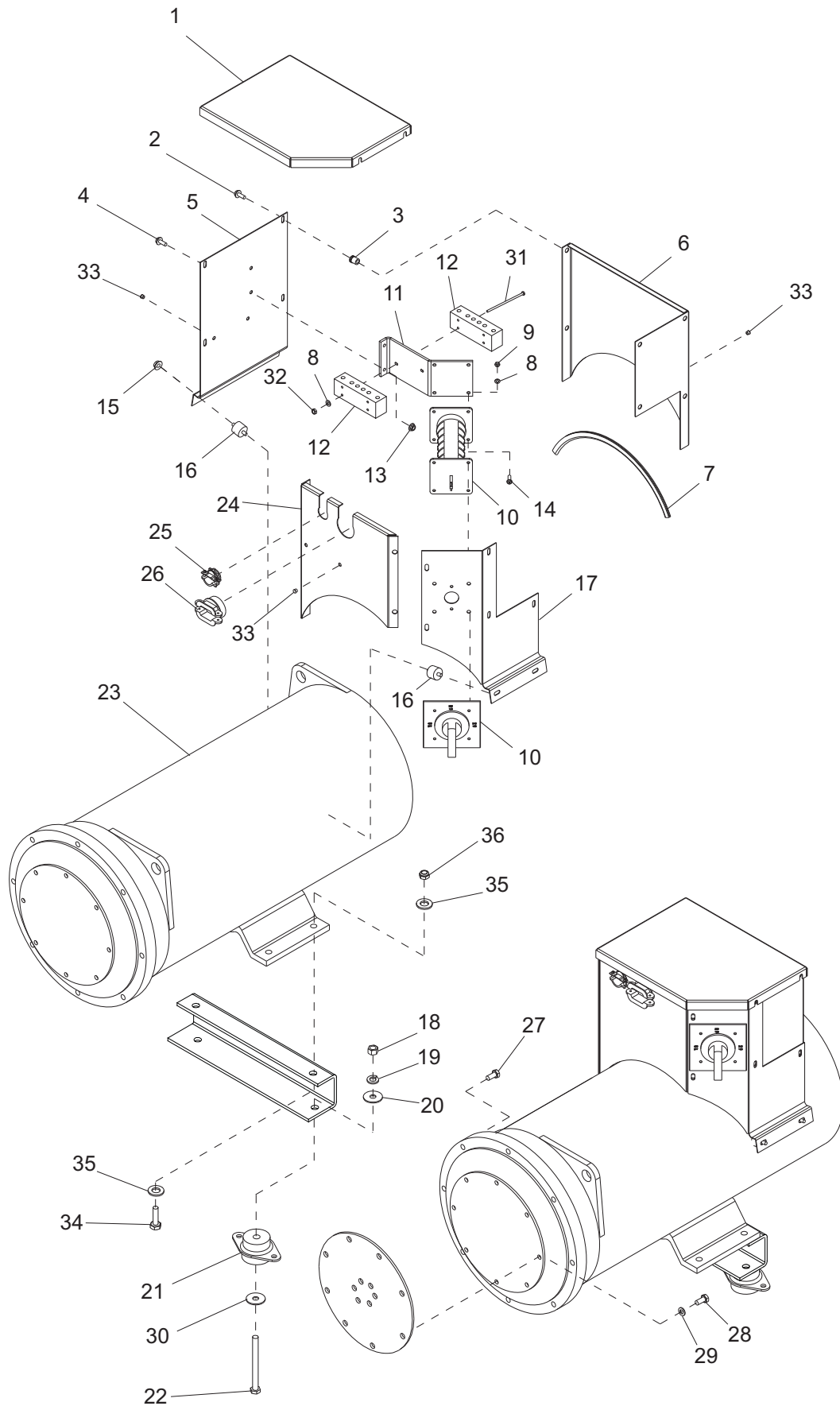
ENGINE ASSEMBLY



ITEM	PART NO.	QTY	DESCRIPTION	NOTES
1	27470	1	Alternator, engine	
2	18105	1	Sensor magnetic pick-up	
3	27228B	1	Plate, mag pick-up 45K	
4	27471	1	Starter, engine	
5	27243	1	Engine, Kubota V3600	
6	60011	8	Washer, M12 split lock	
7	61087	8	Screw, M12-1.25x25 std hex G10.9	
8	27221	1	Weldment, exhaust elbow	
9	60026	2	Washer, M10 split lock	
10	60344	2	Nut, M10-1.25 hex 18-8 ss	
11	27473	1	Oil fill cap	
12	27658	1	Actuator, governor	
13	20447B	2	Weldment, eng mount	
14	27408	1	Belt, fan	
15	20445	1	Spacer, engine fan	
16	29515	1	Fan, pusher - 20.00 CW - HD	
17	60160	4	Screw, M8-1.25x30 sflg hex, G8.8	
18	63076	3	Screw, M12-1.25x30 std hex, G10.9	
19	19467	1	Seal, M22	
20	19307	1	Fitting, strt .500FNPTxM22x1.5 brass	
21	60438	1	Nipple, pipe .500NPT	
22	19279	1	Valve, ball 90°	
23	61014	1	Fitting, barb 90° - .500MNPTx.625 barb brass	
24	60365	2	Clamp, hose	
25	50201	2.3 ft.	Hose, coolant - .625 I.D.	
26	60502	1	Fitting, hose - .500MNPTx.625 barb brass	
27	61094	2	Screw, .500-13x3.5 std hex	
28	18085	2	Washer, snubber	
29	22788	2	Mount, rubber shock	
30	60416	2	Washer, .500 flat	
31	62221	2	Nut, .500-13 nylock, G5	
32	27472	1	Dipstick, oil fill	
33	27406	1	Filter, fuel	
34	Page 18	1	Assembly, air filter	
35	27407	1	Filter, oil	
36	18106	1	Sensor, oil pressure	
37	27438	1	Fitting, strt - .125FNPTx.125	
38	12873	1	Sender, coolant temp	
39	60422	2	Screw, M10-1.25x25 std hex, G8.8	
40	27735B	1	Bracket, engine mount adapter	
41	60018	4	Screw, M10-1.25x20 sflg hex	
42	60064	4	Nut, M10-1.50 sflg, G8.8	
43	60012	3	Washer, M12 flat	
A	32019B	1	Bracket, clutch fan	Option: clutch fan
B	29998	1	Hub, fan clutch mount	Option: clutch fan
C	30023	1	Clutch, fan - for 20" fan	Option: clutch fan
D	30024	1	Fan, engine - 20"	Option: clutch fan
E	60502	2	Fitting, strt .500MNPTx.625 barb	Option: coolant heater
F	24006	1	Fitting, strt - 1.0MNPTx.750FNPT	Option: coolant heater
G	61040	1	Fitting, 45 - .500MNPTx.500FNPT	Option: coolant heater
H	62077	1	Fitting, strt - .750MNPTx.500FNPT	Option: coolant heater

Note: Engine and generator parts used in all Magnum Power Products LLC equipment carry the Original Equipment Manufacturer (OEM) warranty unless otherwise stated. OEM warranty parts must be purchased through an OEM dealer. Please contact Magnum Power Products LLC with questions.

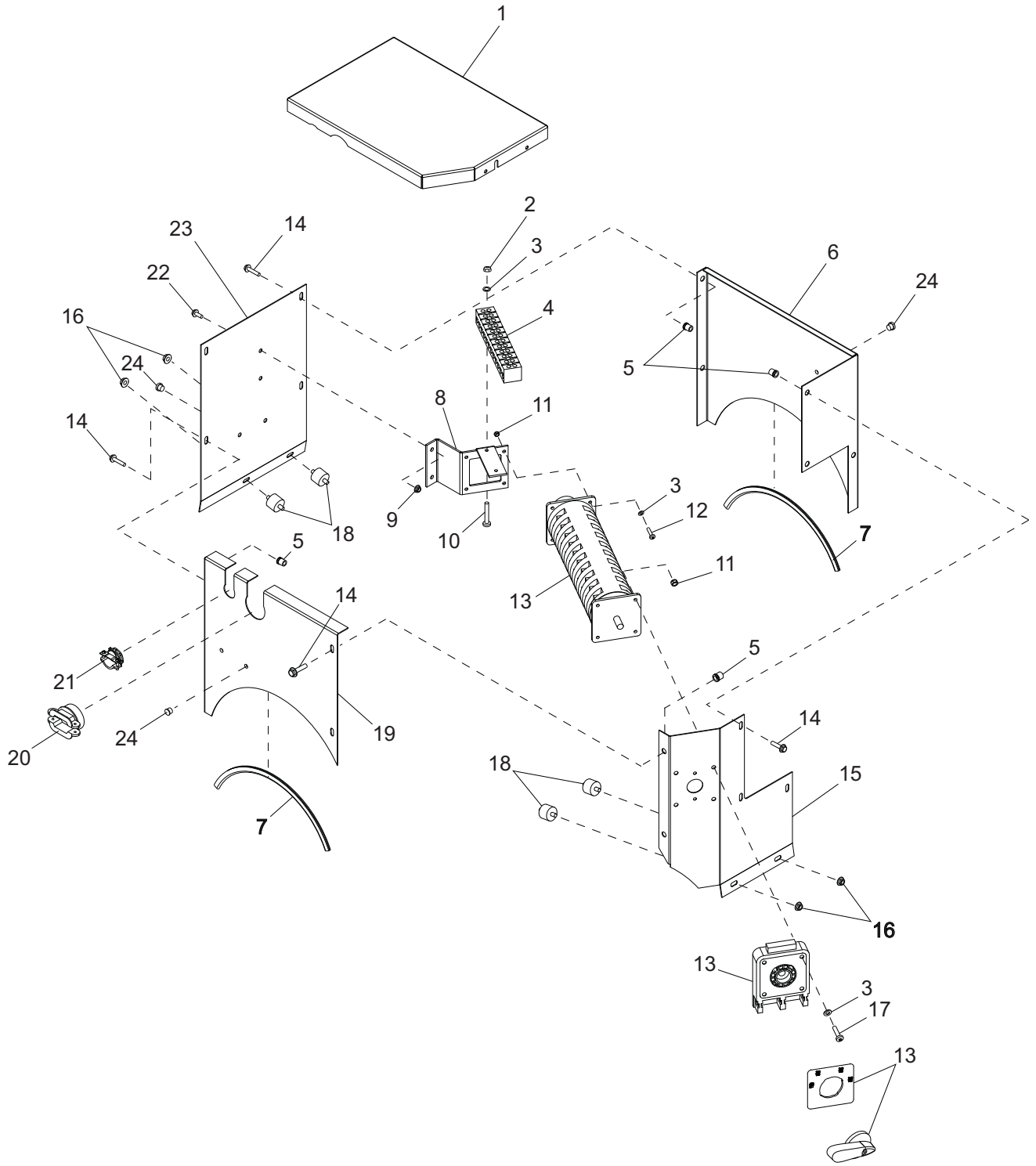
GENERATOR ASSEMBLY



ITEM	PART	QTY	DESCRIPTION	NOTES
1	22985B	1	Panel, generator box top	
2	60087	10	Screw, M6-1.00X16 sflg hex, G8.8	
3	60023	10	Insert, M6 threaded	
4	60115	2	Screw, M6X1.0X12 hx ser flg	
5	22984B	1	Panel, rht side gen box	
6	23126B	1	Panel, rear generator box	
7	19045	2	Seal, generator box	
8	60237	2	Washer, #10 flat	
9	61045	4	Nut, 10-32 sflg	
10	65459	1	Switch, phase selector - 80A	
11	22988B	1	Bracket, phase switch	
12	65481	2	Block, terminal - 6 pos.	
13	60036	2	Nut, M6 HX ser flg lock	
14	60062	4	Screw, 10-32x.750 pan phil, G2	
15	60161	4	Nut, .250-20 hx ser flg	
16	22283	6	Bolt, flex sandwich mount	
17	23127B	1	Panel, lft side gen box	
18	61093	2	Nut, .500-13 hex, G8	
19	60204	2	Washer, split lock .500 hvy lb	
20	60012	2	Washer, flat M12	
21	22788	2	Mount, rubber shock 350 lbs.	
22	61104	2	Screw, .500-13x5.500 std hex, G8	
23	21261	1	Generator, marathon, 284PSL1508	
24	22982B	1	Panel, front gen box	
25	14219	1	Strain relief, .75 romex w/nut	
26	65239	1	Strain relief, 1.50 romex w/nut	
27	60055	12	Screw, M10-1.50x35 std hex, G10.9	
28	60717	8	Screw, .375-16X.750 soc hd	
29	60237	4	Washer, #10 flat	
30	18085	2	Washer, snubber	
31	60725	2	Screw, 8-32X2.500 pan head slot	
32	60318	2	Nut, 8-32 hex	
33	27736B	1	Bracket, gen mount adapter	
34	60388	2	Screw, .500-13x1.500 std hex, G5	
35	60416	4	Washer, .500 flat	
36	62221	2	Nut, .500-13 nylock, G5	
-	24160	1	Generator, marathon, 286PSL1701	Option: super start (not shown)
-	60352	12	Screw, .375-16x1.25 std hex, G5	Option: super start (not shown)
-	60206	12	Washer, .375 split lock	Option: super start (not shown)
-	60018	6	Screw, M10-1.25x20 sflg hex	Option: super start (not shown)
-	27034	2	Weldment, anti-turn bolt 1/2" x 3.500	Option: super start (not shown)

Note: Engine and generator parts used in all Magnum Power Products LLC equipment carry the Original Equipment Manufacturer (OEM) warranty unless otherwise stated. OEM warranty parts must be purchased through an OEM dealer. Please contact Magnum Power Products LLC with questions.

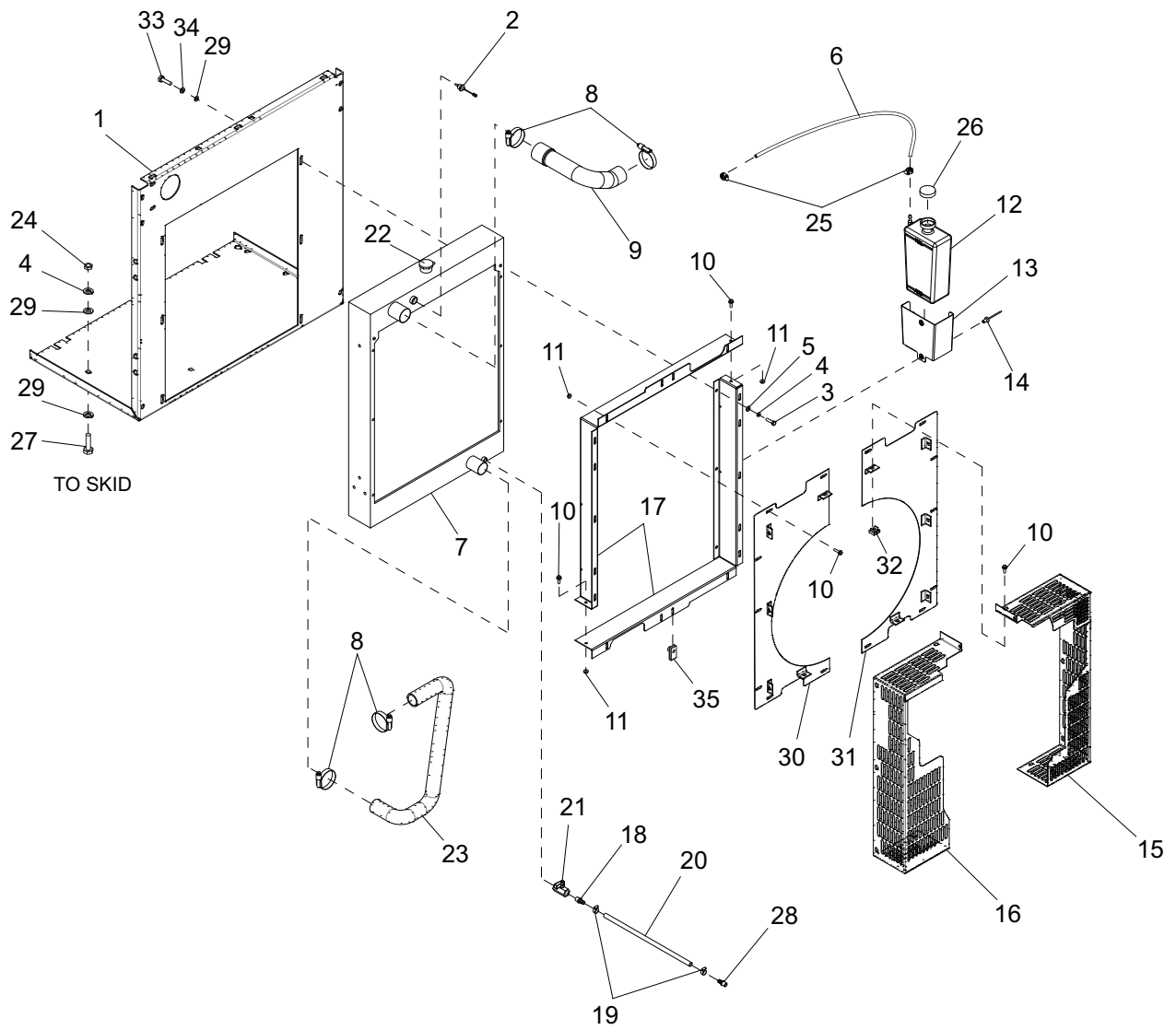
GENERATOR BOX ASSEMBLY
With 4 position voltage selector switch option.



ITEM	PART	QTY	DESCRIPTION	NOTES
1	28509B	1	Panel, top gen box	
2	60051	2	Nut, M4 nylock, G8.8	
3	60041	10	Washer, flat M5	
4	65590	1	Block, terminal - 12 pos lug type	
5	60023	9	Insert, M6 threaded	
6	28507B	1	Panel, rear gen box	
7	19351	2	Seal, generator box	
8	28505B	1	Bracket, phase switch - 4-pos. (YyDZ)	
9	60036	2	Nut, M6 HX ser flg lock	
10	60159	2	Screw, M4X45 pan hd phil	
11	60038	8	Nut, M5 HX nylock	
12	60037	4	Screw, M5X0.8X20 pan head phil	
13	65667	1	Switch, phase - 125A, 4-pos (Y,y,D,Z)	
14	60024	9	Screw, M6X1.0X25 HX ser flg	
15	28506B	1	Panel, left side gen box	
16	60161	4	Nut, .250-20 HX ser flg	
17	60167	4	Screw, M5X0.8X35 pan hd phil	
18	22283	4	Bolt, flex bolt sandwich mount	
19	28508B	1	Panel, front gen box	
20	65239	1	Strain relief - 1.50 romex w/nut	
21	14219	1	Strain relief- .75 romex w/nut	
22	60087	2	Screw, M6X1.0X16 sflg hex, G8.8	
23	28532B	1	Panel, RH gen box	
-	18935	2	Lug, switch extension terminal	Not shown
-	65740	1	Lug block, 4 pos.	Not shown

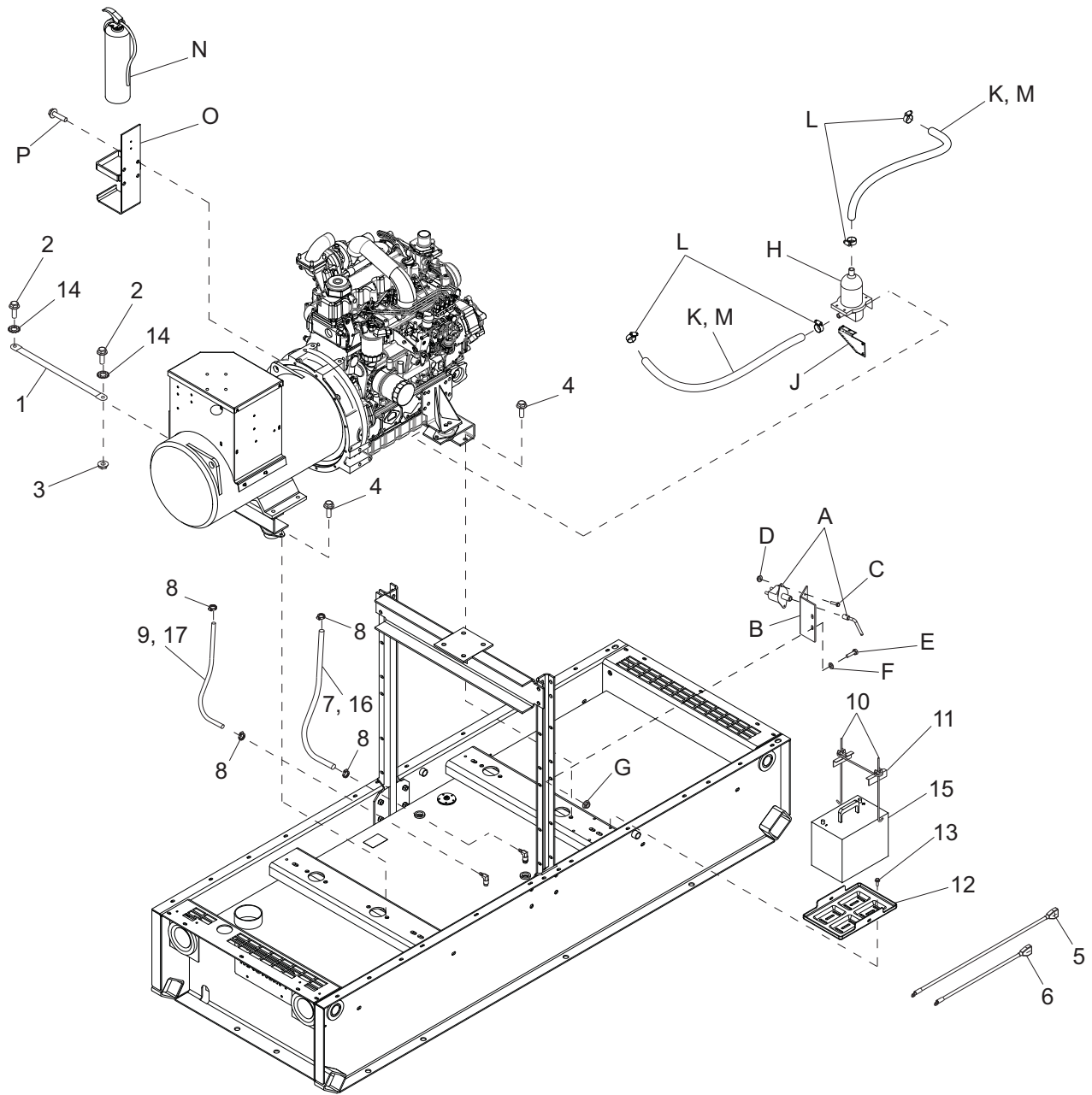
ITEM	PART	QTY	DESCRIPTION	NOTES
1	27739B	1	Weldment, top lift structure	
2	60202	12	Screw, M12-1.75X35 sflg hex G10.9	
3	60013	4	Nut, M12-1.75 hex class 10 LB DIN934	
4	60204	4	Washer, .500 split lock LB hvy	
5	60175	4	Screw, .250-20x.500 sflg hex, G5	
6	27660B	1	Weldment, skid	
7	22924B	1	Weldment, lift support	
8	61147	2	Nut, .312-18 U-clip	
9	<i>Page 20</i>	1	Assembly, fuel tank	
10	18394	2	Plug, .500NPT X hex socket	
11	66396	2	Light, clearance, 2.0", amber	
12	66394	5	Grommet, sealed beam light	
13	66397	2	Light, clearance, 2.0", red	
14	66395	1	Light, utility, 2.0", clear	
15	29673B	1	Bracket, rear light right side	
16	10221	2	Grommet, rear light, rubber 4.5"	
17	10220	2	Light, rear tail/turn, round	
18	29494B	1	Weldment, lift structure	
19	29764B	1	Bracket, rear light left side	
20	60479	4	Screw, .250-20x1.0 sflg hex, G5	
21	60161	8	Nut, .250-20 sflg, G5	
22	61101	4	Screw, .500-13x1.500 std hex, G8	
23	60276	4	Washer, .500 split lock	
24	60309	4	Washer, .500 flat	
25	61107	1	Washer, .500 ext star	
A	22570	1	Fitting, strtr - .500MNPTx.375FNPT	Option: oil drain (tandem trailer)
B	15396	1	Fitting, .375NPT X 90° brass	Option: oil drain (tandem trailer)
C	19168	1	Hose assy, radiator drain,	Option: oil drain (tandem trailer)
D	19300	1	Fitting, pipe, .375 hex cap	Option: oil drain (tandem trailer)
E	60445	1	Screw, M5-.80x16 pan phil, SS	Option: oil drain (tandem trailer)
F	19041	1	Clip, spring holder	Option: oil drain (tandem trailer)
G	60089	2	Washer, .265 fndr 1.250/.060	Option: oil drain (tandem trailer)
H	60038	1	Nut, M5-.80 nylock	Option: oil drain (tandem trailer)
J	60507	12	Screw, .312-18x1.0 std hex, SS	Option: containment
K	60340	12	Washer, .312 flat, SS	Option: containment
L	60505	12	Nut, .312-18 U-clip	Option: containment
M	66701	2	Light, rear tail/turn, round - LED	Option: LED
N	66702	2	Light, clearance, 2.0", amber - LED	Option: LED
O	66703	2	Light, clearance, 2.0", red - LED	Option: LED
P	66704	1	Light, clearance, 2.0", clear - LED	Option: LED
Q	23528B	2	Bracket, interior light	Option: interior light
R	11947	2	Light, interior with switch	Option: interior light

COOLING SYSTEM ASSEMBLY



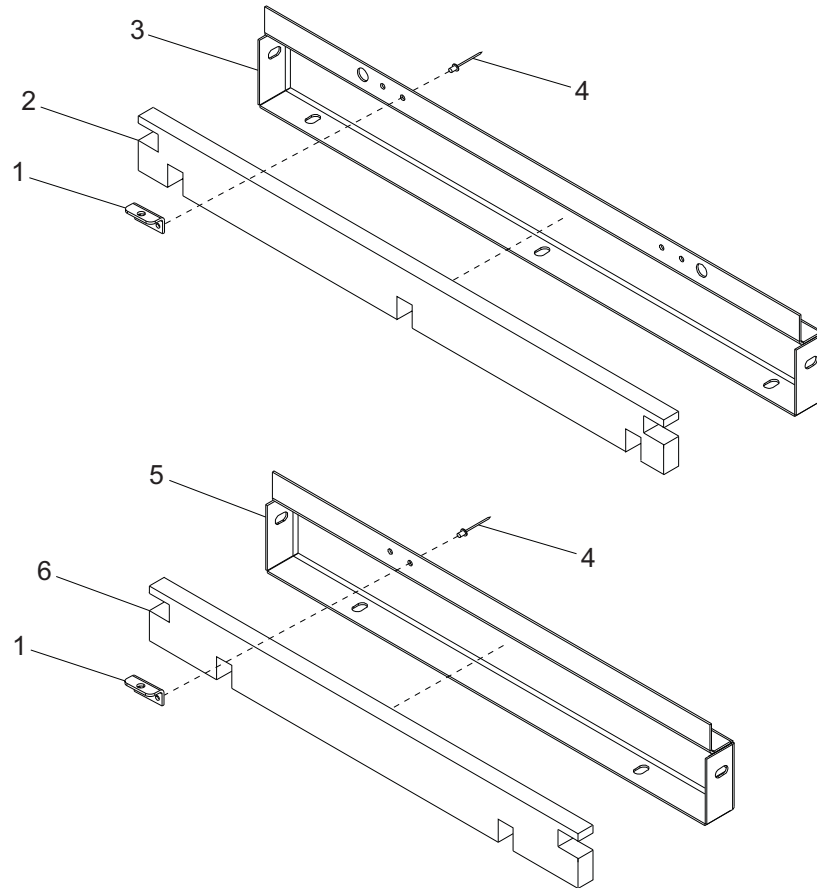
ITEM	PART NO.	QTY	DESCRIPTION	NOTES
1	27734B	1	Panel, bulkhead	
2	65592	1	Sensor, low coolant	
3	60168	6	Screw, .312-18X.750 std hex, G5	
4	60271	6	Washer, .312 split lock	
5	60119	6	Washer, .312 flat	
6	50018	1.66 ft.	Hose - 50 psi	
7	27187	1	Radiator	
8	60660	4	Clamp, hose - const. torque (1.75-2.625)	
9	20580	1	Hose, radiator - upper	
10	60175	27	Screw, .250-20x.500 sflg hex, G5	
11	60161	16	Nut, .250-20 hx ser flg	
12	24952	1	Jug, overflow 2.5 qt.	
13	26211B	1	Bracket, overflow jug	
14	60268	2	Rivet, .188 dia x .126 to .250 grip, SS	
15	27219B	1	Guard, fan - RH	
16	27218B	1	Guard, fan - LH	
17	27216B	2	Radiator shroud	
18	19180	1	Fitting, hose - .375MNPTx.312 barb	
19	14216	2	Clamp, hose - mini	
20	50018	.66 ft.	Hose, .312 ID 50 psi	
21	62032	1	Valve, ball .375NPTF - mini	
22	19219	1	Cap, radiator - 14.7 psi	
23	27888	1	Hose, lower radiator 45K ver 2	
24	60515	6	Nut, .312-18 hex, SS	
25	63192	2	Clamp, crimping band - .464"	
26	19714	1	Cap, overflow bottle	
27	60507	6	Screw, .312-18X1.000 std hex 18-8 SS	
28	60999	1	Fitting, strt - .500MNPTx.312 barb brass	
29	60340	18	Washer, .312 flat, SS	
30	20443B	1	Weldment, fan guard - LH	
31	20444B	1	Weldment, fan guard - RH	
32	15424	10	Nut, .250-20 cage, G5	
33	60687	6	Screw, .312-18x.750 std hex, SS	
34	60701	12	Washer, .312 split lock, SS	
35	60505	2	Nut, .312-18 U-clip	

ENGINE TO SKID ASSEMBLY



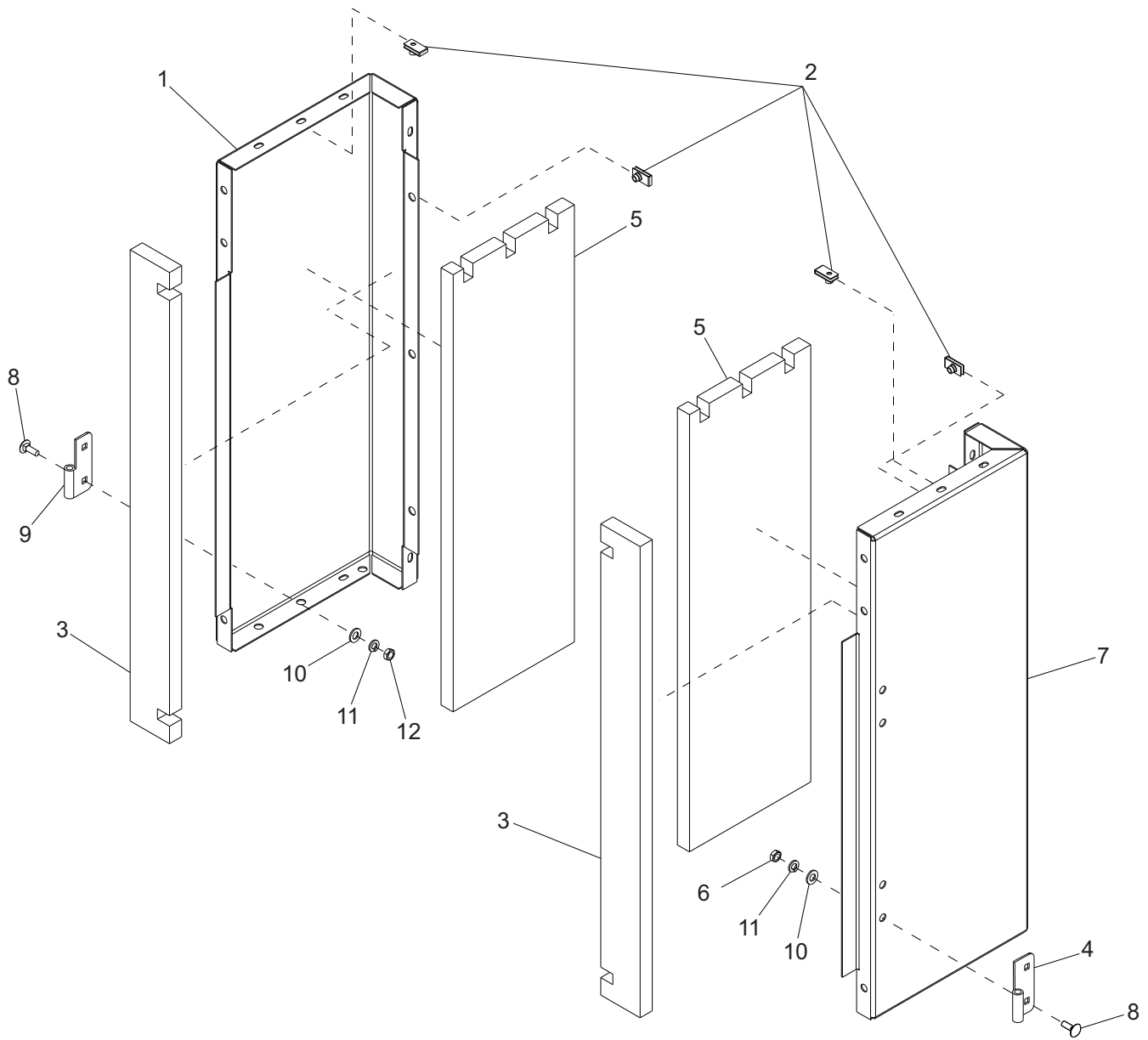
ITEM	PART	QTY	DESCRIPTION	NOTES
1	19042	1	Strap, braided ground - 10"	
2	60353	2	Screw, .375-16x1.0 flg hex, G2	
3	60145	1	Nut, .375-16 sflg, G5	
4	60018	8	Screw, M10-1.25x20 sflg hex	
5	24777	1	Cable, red battery 54"	
6	24778	1	Cable, black battery 15"	
7	50018	2.62 ft.	Hose, fuel - .312 ID 50 PSI SAE 30R7	
8	14216	4	Clamp, hose SAE 04 (.21-.62) mini	
9	14211	2.62 ft.	Hose, fuel - .188 ID 50 PSI SAE 30R7	
10	60984	2	Bolt, J - .250-20 x 7.00	
11	14682	1	Bracket, battery hold down	
12	14145	1	Battery tray	
13	60353	4	Screw, .375-16X1.000 hex flg	
14	60053	2	Washer, .375 ext star	
15	-	1	Battery, 12V - 720CCA	
16	50023	2.54 ft	Loom, wire - .625	
17	50021	2.54 ft	Loom, wire - .375	
A	21489	1	Switch, battery disconnect	Option: battery disconnect
B	23360B	1	Bracket, battery disconnect	Option: battery disconnect
C	60175	2	Screw, .250-20 sflg, G5	Option: battery disconnect
D	60161	2	Nut, .250-20 sflg hex, G5	Option: battery disconnect
E	60507	2	Screw, .312-18x1.0 std hex, SS	Option: battery disconnect
F	60340	2	Washer, .312 flat, SS	Option: battery disconnect
G	60095	2	Nut, .312-18 sflg	Option: battery disconnect
H	25914	1	Heater, coolant	Option: coolant heater
J	26092B	1	Bracket, coolant heater	Option: coolant heater
K	50201	1.83 ft	Hose, .625 horizon 200 psi	Option: coolant heater
L	60365	4	Clamp, hose - SAE 010 (.56-1.06)	Option: coolant heater
M	66658	7.08 ft	Loom, wire - 1.06 ID	Option: coolant heater
N	14509	1	Fire extinguisher - 5 lbs	Option: fire extinguisher
O	23396B	1	Weldment, fire extinguisher bracket	Option: fire extinguisher
P	60072	2	Screw, M12-1.75x25 sflg hex, G10.9	Option: fire extinguisher
-	-	1	Battery, 12V - 950CCA	Option (not shown)
-	60820	2	Bolt, J - .250-20 x 9.00	Option (not shown)
-	-	1	Battery, 12V - 720CCA (dual post)	Option (not shown)

SMALL SIDE & END PANEL ASSEMBLIES



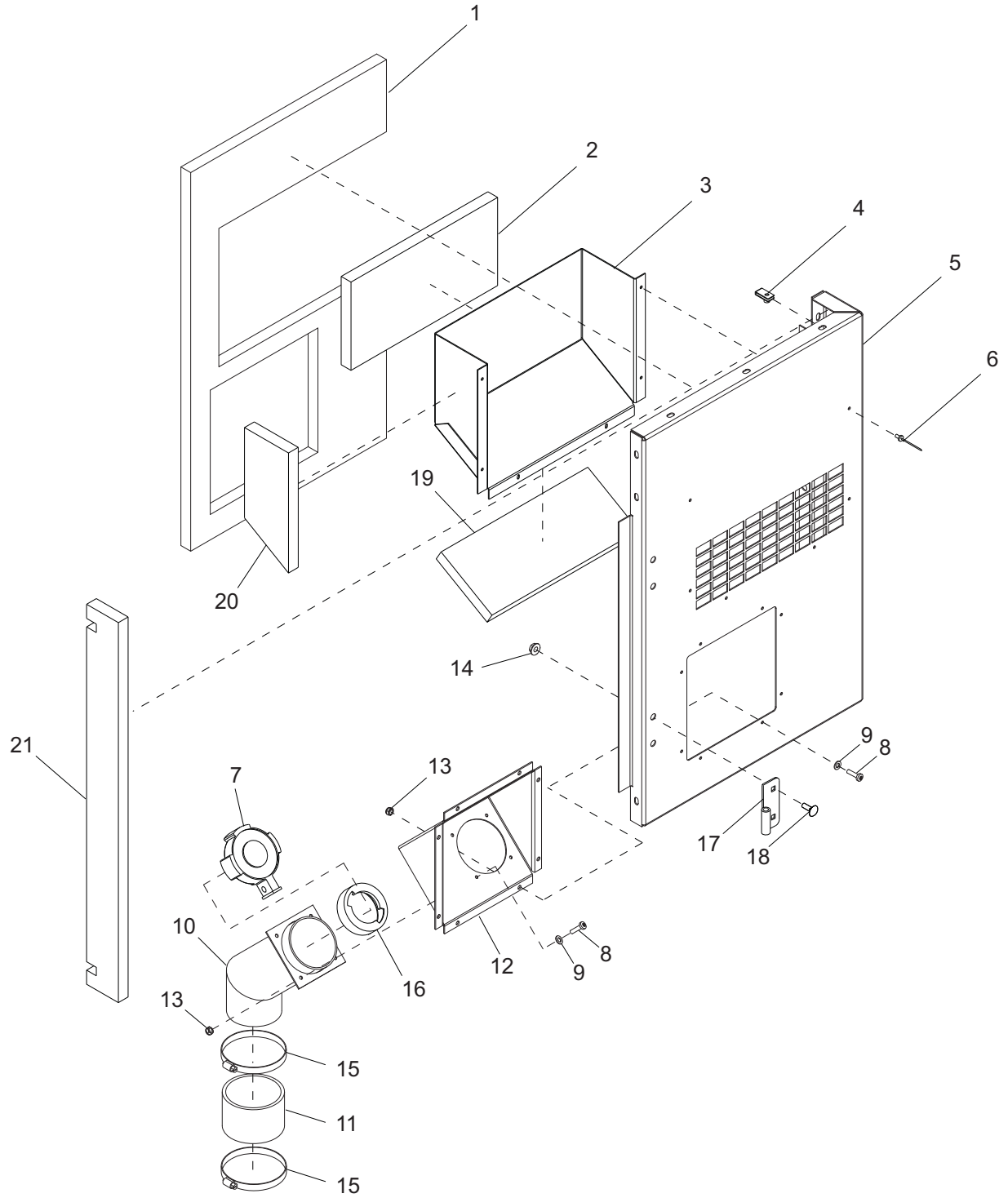
ITEM	PART	QTY	DESCRIPTION	NOTES
1	20916Z	3	Bracket, prop rod	
2	20930	6	Foam, small panel	
3	20888W	6	Panel, small (ALU)	
4	60268	6	Rivet, .188 dia x .126 to .250 grip, SS	
5	20898W	1	Panel, small (left rear) (ALU)	
6	20931	1	Foam, small panel	

FRONT CORNER ASSEMBLY



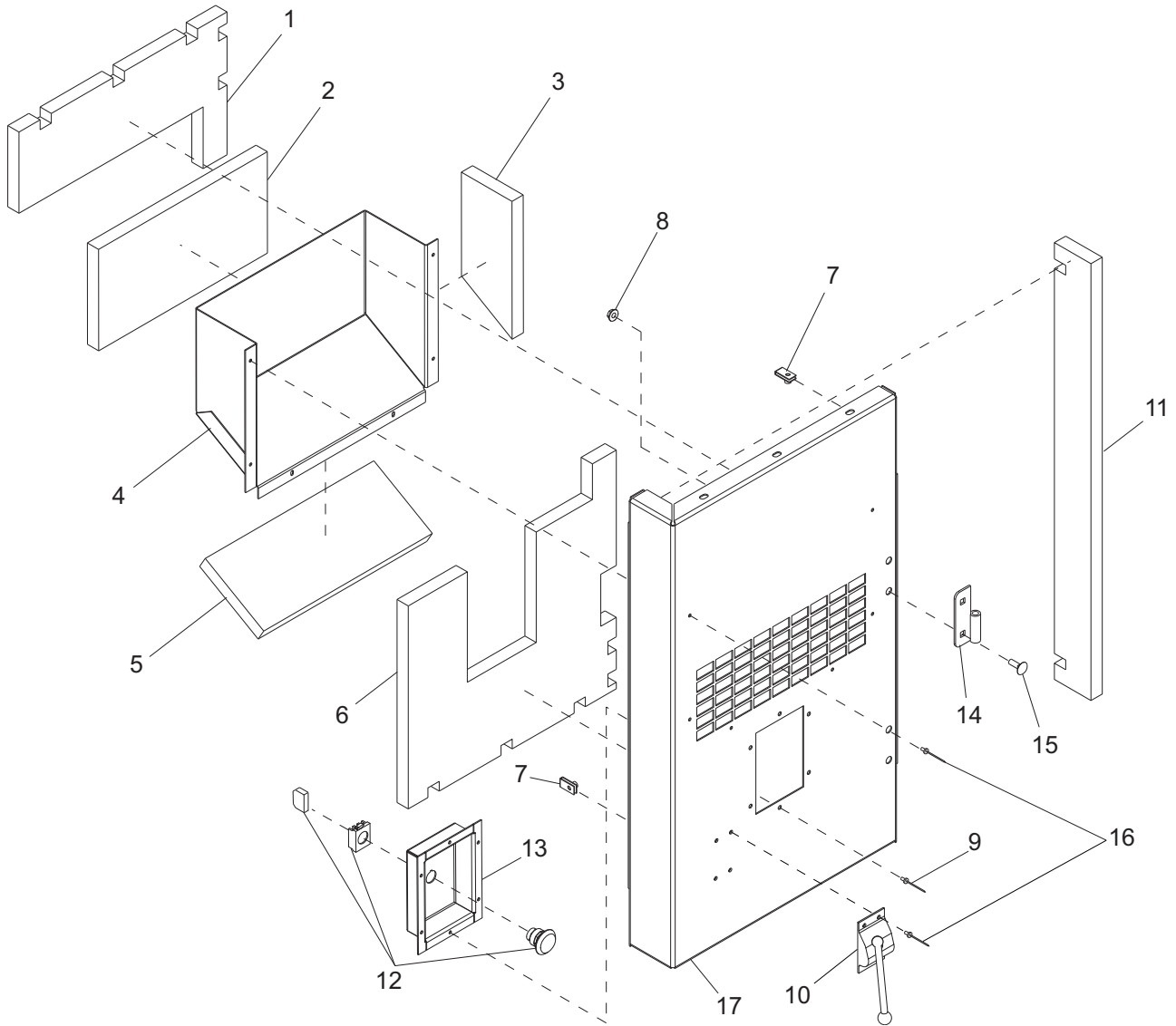
ITEM	PART	QTY	DESCRIPTION	NOTES
1	22782W	1	Panel, left front corner	
2	60505	12	Nut, U-clip .312-18 long type	
3	20932	2	Foam, corner common	
4	18460	2	Hinge, right (female)	
5	22827	2	Foam, left front corner	
6	60515	8	Nut, .312-18 hex, SS	
7	22781W	1	Panel, right front corner	
8	61066	8	Screw, .312-18X1.0 carr. sq, SS	
9	18462	2	Hinge, left (female)	
10	60340	8	Washer, .312 flat, SS	
11	60701	8	Washer, .312 split lock, SS	

LEFT REAR CORNER ASSEMBLY



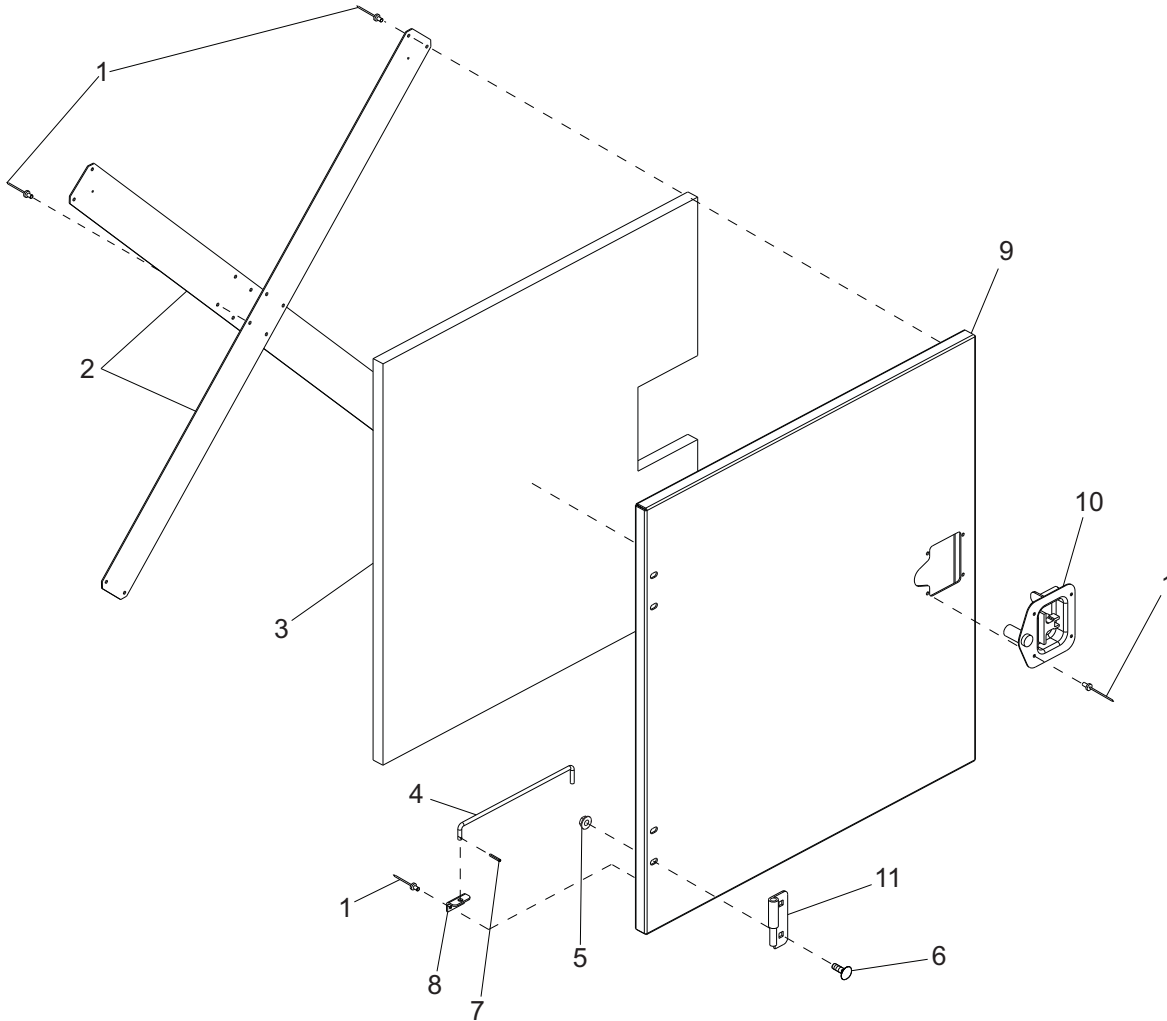
ITEM	PART	QTY	DESCRIPTION	NOTES
1	27744	1	Foam, rear right corner	
2	22843	1	Foam, side air duct - face	
3	22786W	1	Duct, side air (55)	
4	60505	3	Nut, .312-18 U-clip long type	
5	27742W	1	Panel, left rear corner	
6	60268	6	Rivet, .188 dia X .126 to .250 grip, SS	
7	23707	1	Cap, fuel fill - 3.50	
8	60850	12	Screw, 10-24X.750 pan phil G2	
9	60067	12	Washer, #10 flat .435/.060 18-8 SS	
10	23710B	1	Weldment, 3.50 fuel fill neck - black	
11	19612	1	Hose, air/fuel 4.00"	
12	23697B	1	Panel, fuel inlet - black	
13	60457	12	Nut, 10-24 nylock	
14	60095	4	Nut, .312-18 sflg	
15	19842	2	Clamp, hose - SAE 072 (4.06-5.00)	
16	23830	1	Insert, plastic fuel 3.5"	
17	18460	2	Hinge, right (female)	
18	61066	4	Screw, .312-18X1.00 carr sq 18-8 SS	
19	22844	1	Foam, side air duct - lower	
20	22841	1	Foam, side air duct - right	
21	20932	1	Foam, corner common	

RIGHT REAR CORNER ASSEMBLY



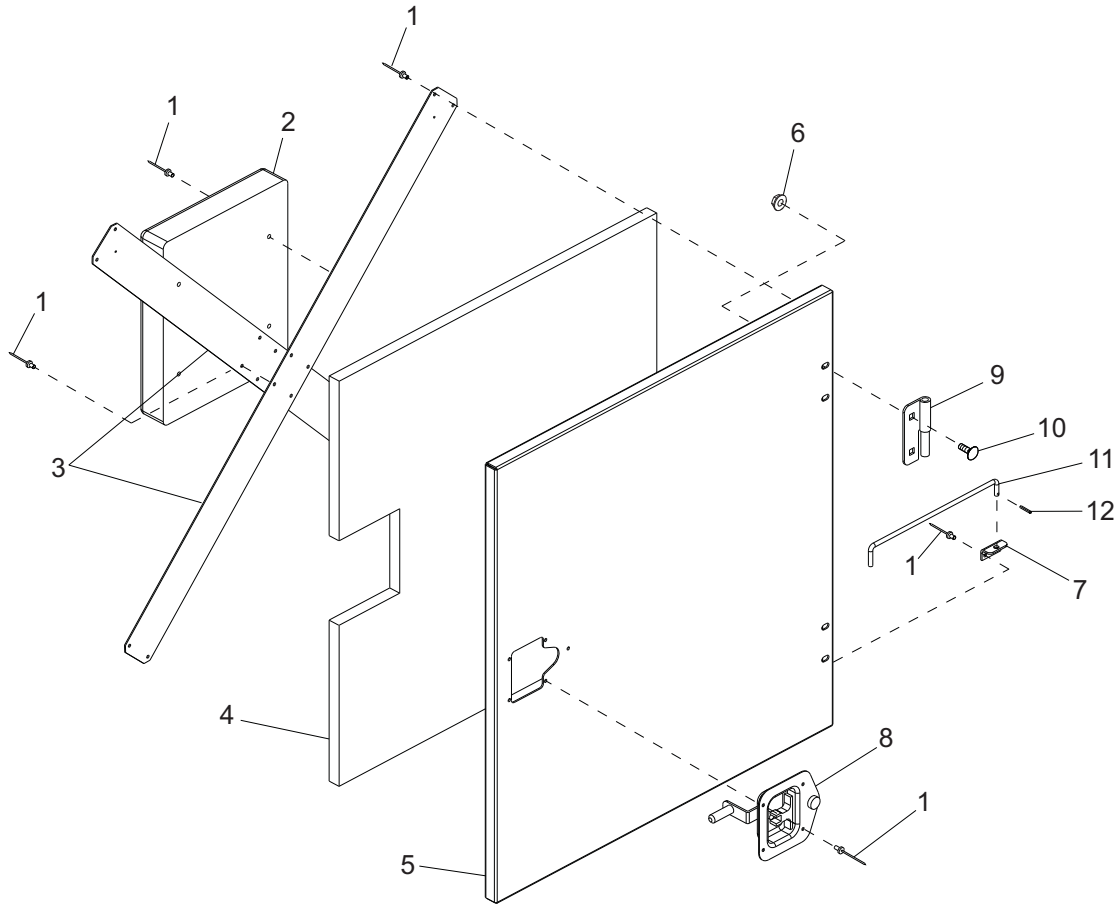
ITEM	PART	QTY	DESCRIPTION	NOTES
1	22839	1	Foam, rear left corner	
2	22843	1	Foam, side air duct - face	
3	22842	1	Foam, side air duct - left	
4	22786W	1	Duct, side air	
5	22844	1	Foam, side air duct - lower	
6	22840	1	Foam, rear right lower corner	
7	60505	6	Nut, u clip - .312-18 long type	
8	60095	4	Nut, .312-18 sflg	
9	60260	6	Rivet, .188 dia x .375 to .500 grip, SS	
10	62225	1	Latch, door - stainless cable w/ ball	
11	20932	1	Foam, corner common	
12	22550	1	Switch, emergency stop	
13	30645	1	Panel, emergency stop	
14	18462	2	Hinge, left (female)	
15	61066	4	Screw, .312-18X1.000 carr sq, SS	
16	60268	10	Rivet, .188 dia X .126 to .250 grip	
17	22783W	1	Panel, right rear corner	

LEFT FRONT DOOR ASSEMBLY



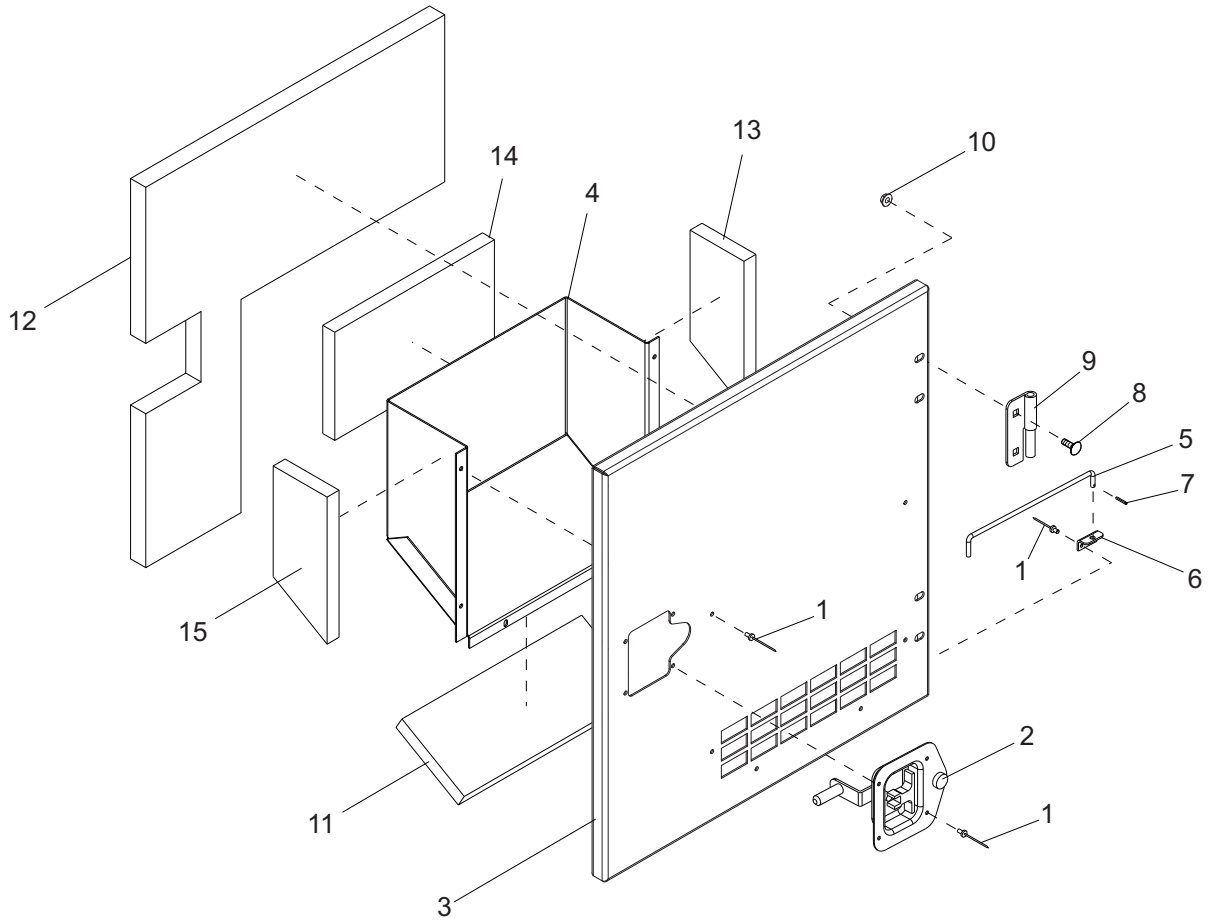
ITEM	PART	QTY	DESCRIPTION	NOTES
1	60268	18	Rivet, .188 dia SS	
2	20952B	2	Brace, door small	
3	20969	1	Foam, door front small	
4	18900ZC	1	Rod, door prop	
5	60095	4	Nut, .312-18 sflg	
6	61066	4	Screw, .312-18x1.0 carr sq, SS	
7	60048	1	Roll pin, .125 x .625	
8	20916Z	1	Bracket, prop rod	
9	20907W	1	Panel, front - small	
10	22497	1	Latch, T-handle - lft cw lock	
11	18459	2	Hinge, right (male)	

RIGHT FRONT DOOR ASSEMBLY



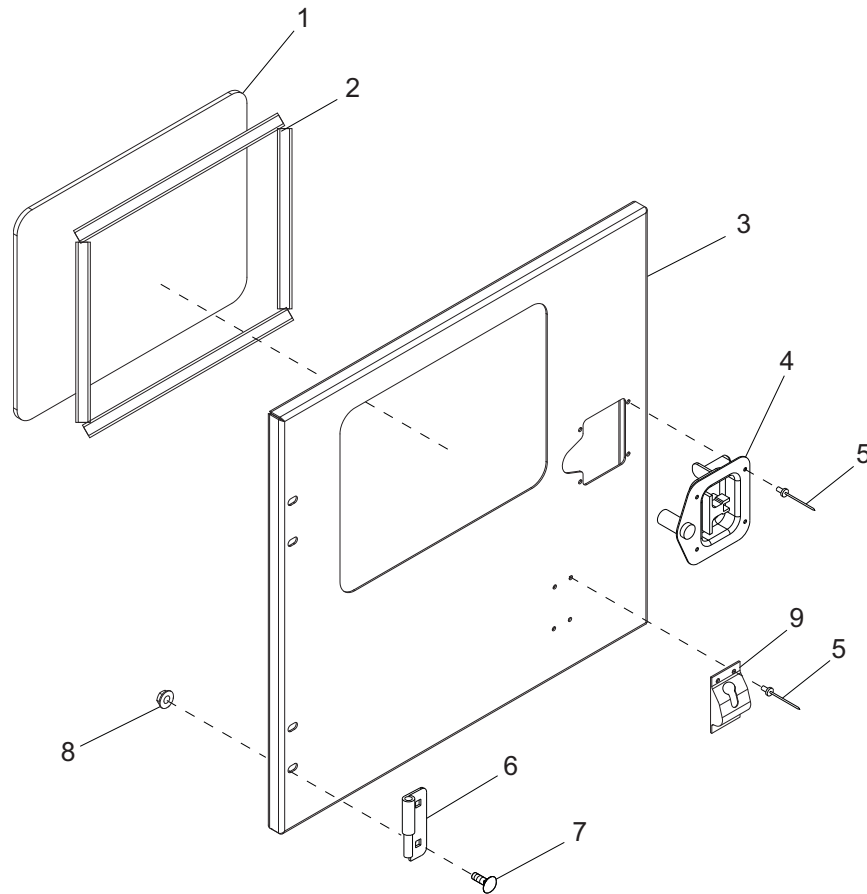
ITEM	PART	QTY	DESCRIPTION	NOTES
1	60268	22	Rivet, .188 dia x .126 x .250 SS	
2	24540	1	Holder, manual (plastic)	
3	20952B	2	Brace, door small	
4	20969	1	Foam, door front - small	
5	21033W	1	Panel, door front rht	
6	60095	4	Nut, .312-18 sflg	
7	20916Z	1	Bracket, prop rod	
8	22498	1	Latch, T-handle - rht ccw lock	
9	18461	2	Hinge, left (male)	
10	61066	4	Screw, .312-18X1.000 carr sq, SS	
11	18900ZC	1	Rod, door prop	
12	60048	1	Roll pin, .125 x .625	

LEFT REAR DOOR ASSEMBLY



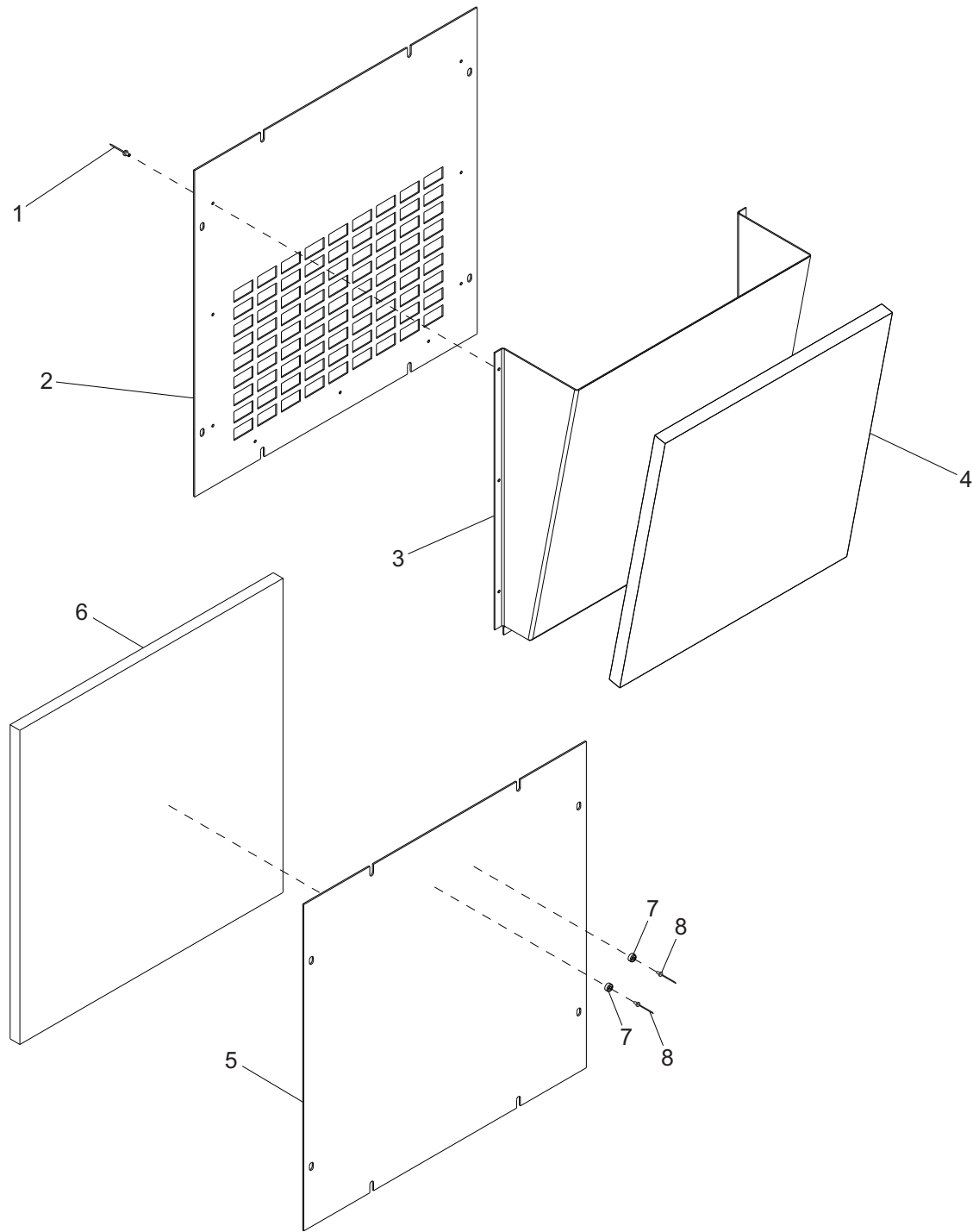
ITEM	PART	QTY	DESCRIPTION	NOTES
1	60268	12	Rivet, .188 dia X.126 to X.250 grip	
2	22498	1	Latch, T-handle - rht ccw lock	
3	22819W	1	Door, rear left	
4	22823W	1	Duct, rear left door	
5	18900ZC	1	Rod, door prop	
6	20916Z	1	Bracket, prop rod	
7	60048	1	Roll pin, .125 x .625	
8	61066	4	Screw, .312-18X1.00 carr sq 316 SS	
9	18461	2	Hinge, left (male)	
10	60095	4	Nut, .312-18 sflg	
11	22846	1	Foam, door duct, lower	
12	22831	1	Foam, rear left door	
13	22842	1	Foam, side air duct, left	
14	22845	1	Foam, door duct, face	
15	22841	1	Foam, side air duct, right	

CONTROL DOOR ASSEMBLY



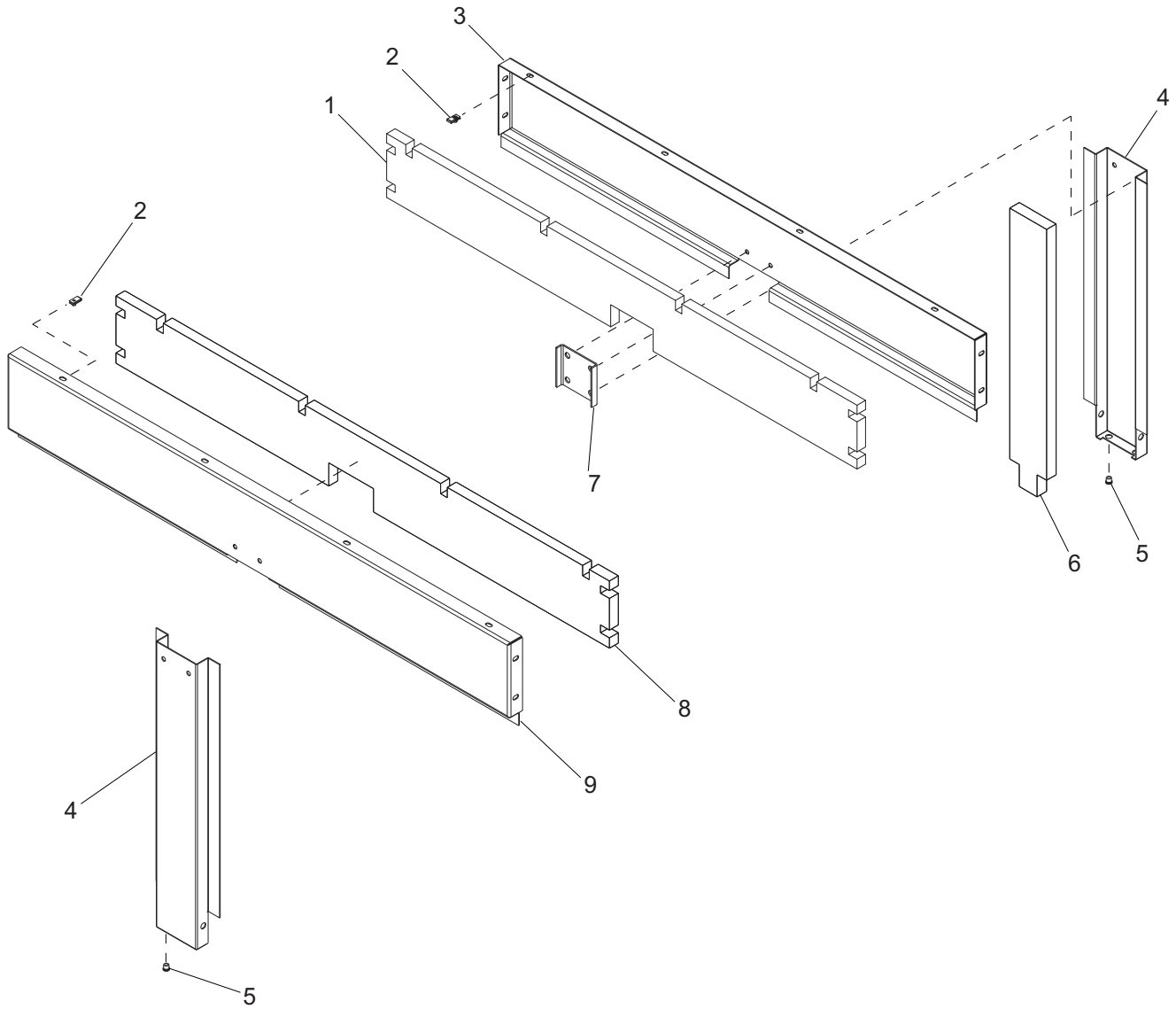
ITEM	PART	QTY	DESCRIPTION	NOTES
1	21477	1	Window, control door	
2	50192	4.58 ft.	Tape, .500", double sided, VHB	
3	27830W	1	Door, control	
4	27987	1	Latch, control door	
5	60268	8	Rivet, .188 dia x .126 to .250 grip, SS	
6	18459	2	Hinge , right (male)	
7	61066	4	Screw, .312-18x1.00 carr sq 316 SS	
8	60095	4	Nut, .312-18 sflg	
9	62225	1	Latch, door	

END PANEL ASSEMBLIES



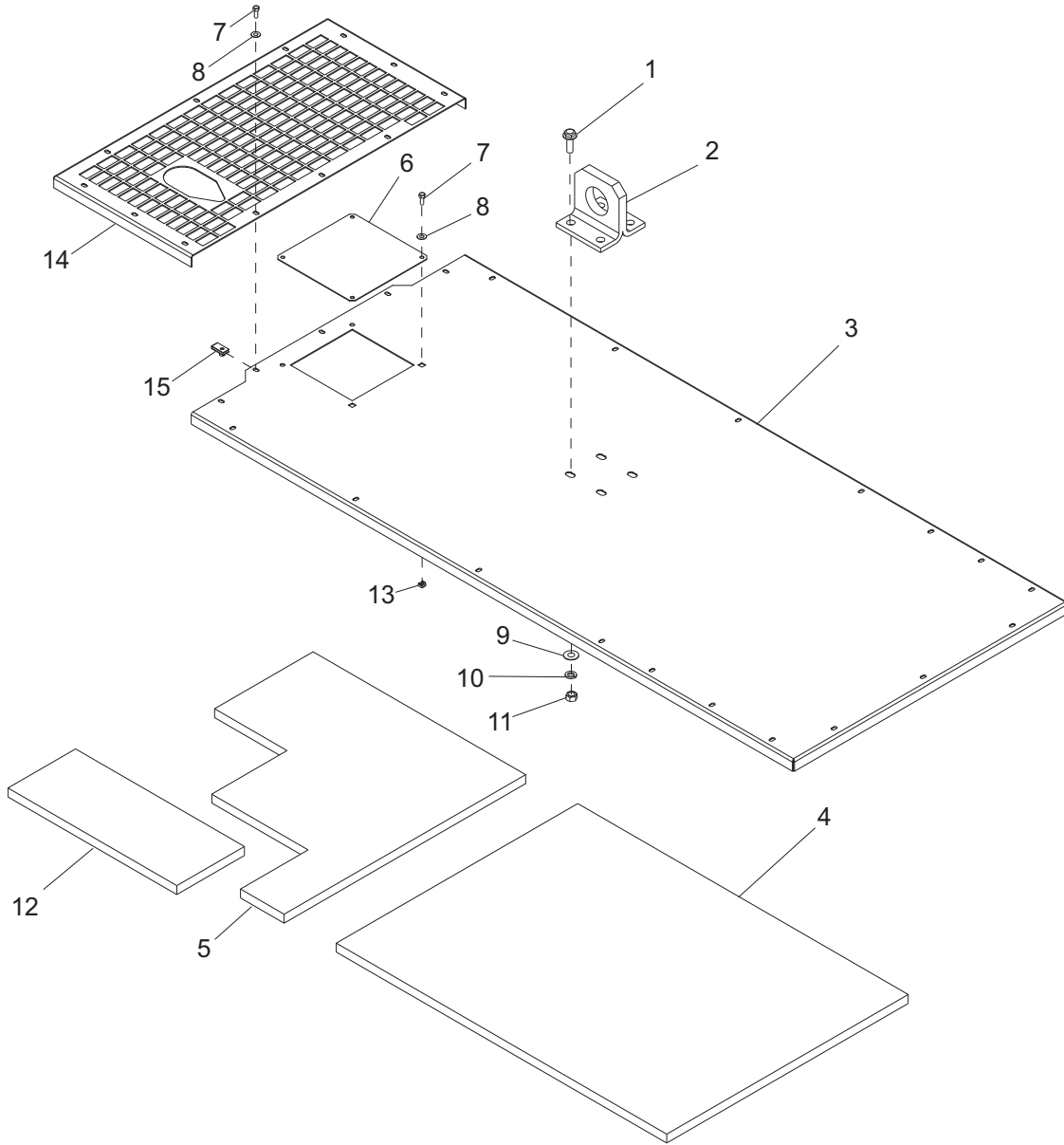
ITEM	PART	QTY	DESCRIPTION	NOTES
1	60268	9	Rivet, .188 dia x .126 to x .250 grip	
2	20877W	1	Panel , rear	
3	22730W	1	Duct, rear	
4	20933	1	Foam, rear duct	
5	20875W	1	Panel, front	
6	20936	1	Foam, front panel	
7	15215	2	Rubber bumper	
8	60267	2	Rivet, .125 dia x .191 to .270 grip	

SIDE PANEL ASSEMBLIES



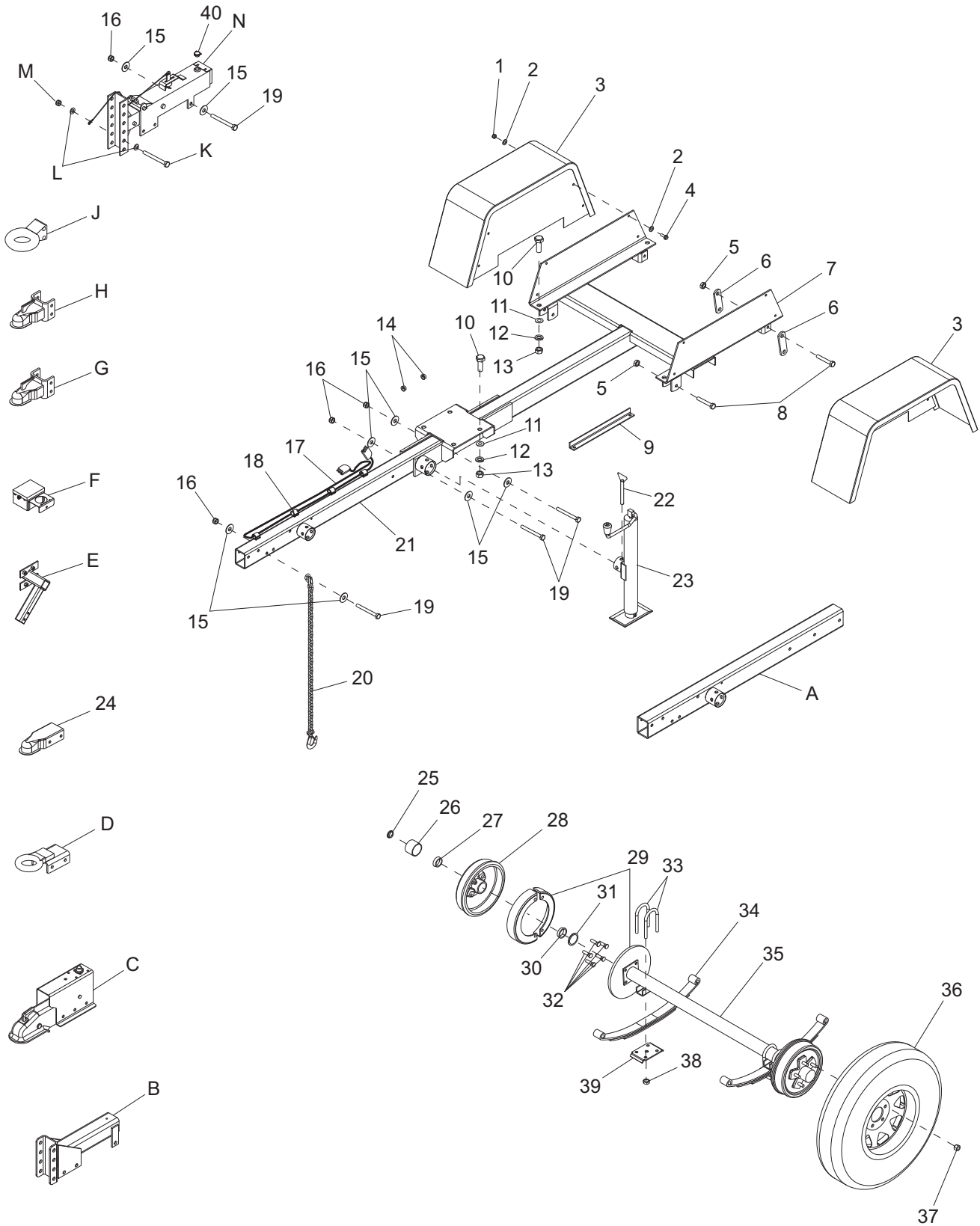
ITEM	PART	QTY	DESCRIPTION	NOTES
1	20925	1	Foam, top side right	
2	60505	8	Nut, U-clip .312-18 long type	
3	20890W	1	Panel, top side right	
4	20896W	2	Panel, center side	
5	62133	4	Insert, threaded .312-18	
6	20929	1	Foam, center side	
7	20906W	1	Bracket, side stiffener	
8	20926	1	Foam, top side left	
9	20891W	1	Panel, top side left	

ROOF ASSEMBLY



ITEM	PART	QTY	DESCRIPTION	NOTES
1	60065	4	Screw, M12-1.75X40 sflg hex, G10.8	
2	22936B	1	Bracket, lifting eye	
3	27745W	1	Panel , roof	
4	29570	1	Foam, rear roof	
5	29571	1	Foam, front roof	
6	25053W	1	Panel, access	
7	60507	7	Screw, .312-18X1.000 std hex, SS	
8	60452	7	Washer, .313 flat bonded rubber, SS	
9	60012	4	Washer, M12 flat LB DIN125	
10	60204	4	Washer, .500 split lock lb hvy	
11	60013	4	Nut, M12-1.75 hex class 10 lb	
12	23361	1	Insulation, ceramic roof	
13	15425	2	Nut, .312-18 cage	
14	27746B	1	Panel, roof insert	
15	60505	3	Nut, U-clip .312-18 long type	

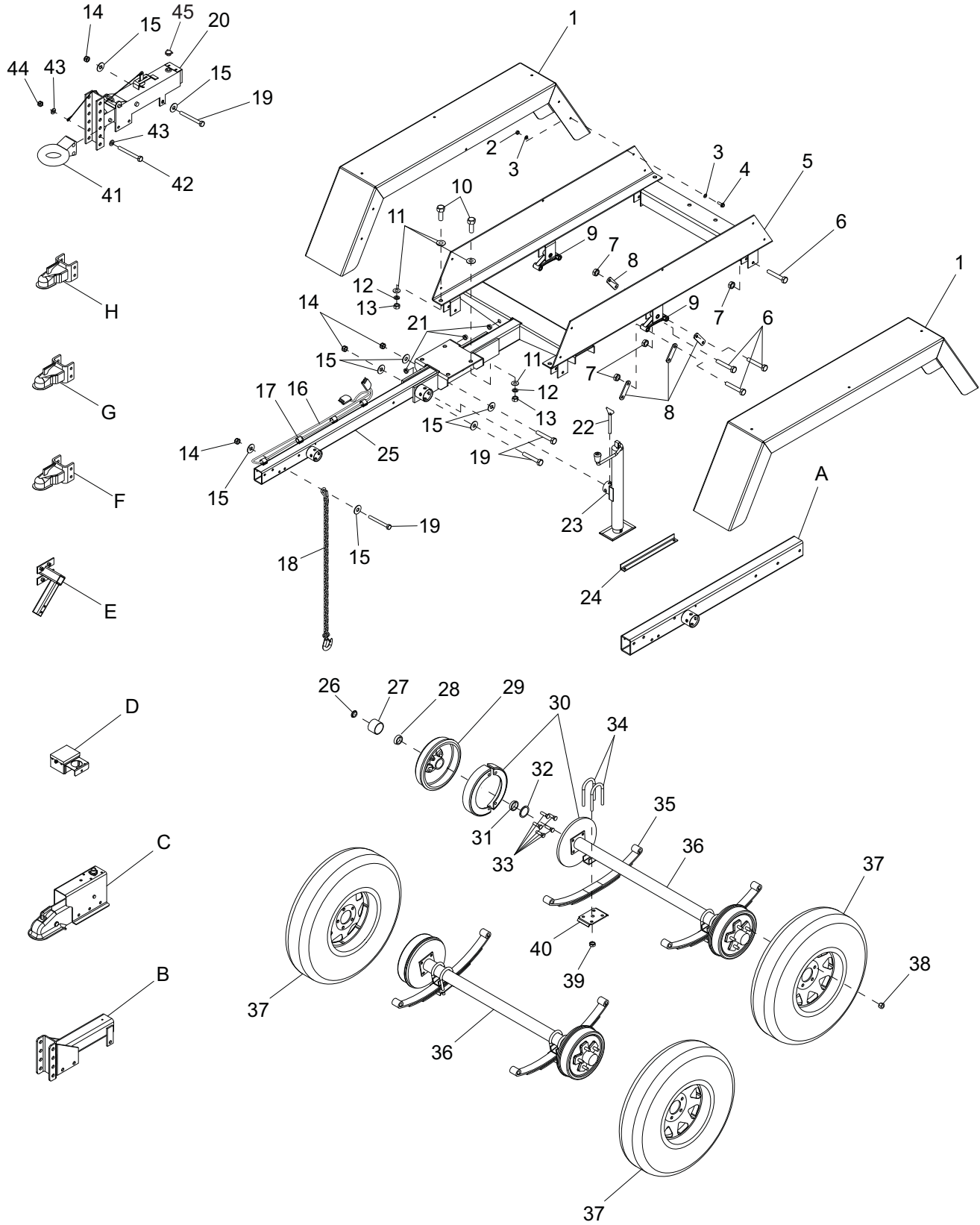
TRAILER ASSEMBLY - SINGLE AXLE



ITEM	PART	QTY	DESCRIPTION	NOTES
1	60140	8	Nut, .375-16 hx hd	
2	60386	16	Washer, flat .375	

ITEM	PART	QTY	DESCRIPTION	NOTES
3	22743B	2	Fender, single wheel	
4	60179	8	Screw .375-16X.750 hx hd	
5	60504	6	Nut, .562-18 lock	
6	19637	4	Plate, shackle bracket	
7	24811B	1	Weldment, trailer chassis	
8	60503	6	Screw, .562-18 hx shackle	
9	24691B	1	Brace, tongue shipping	
10	60383	6	Screw, .750-10x1.50 std hex	
11	60247	6	Washer, flat .750	
12	60248	6	Washer, split lock .750	
13	15293	6	Nut, .750-10 hx	
14	22340	2	Bushing, 1.00 OD X .75 ID	
15	60309	14	Washer, flat .500	
16	60307	7	Nut, .500-13 hx nylock	
17	23390	1	Harness, trailer extension	
18	61010	7	Clamp, tubing - heavy duty	
19	60659	7	Screw, hx hd	
20	23367	2	Chain, safety	
21	24812B	1	Weldment, flip tongue	Non-adjustable actuator/hitch
22	23256	1	Pin, jack - tube mounted	
23	23254	1	Jack, top wind - 2000 lb. tube mounted	
24	15103	1	Coupler, 2" ball/3" channel	Non-adjustable
25	11254	2	Plug, grease cap - for zerk	
26	23170	2	Cap, grease	Plug not included
27	24831	2	Roller bearing - outer	
28	26452	2	Brake drum - 12" 6 on 5.5"	
29	26572	2	Surge brake assy, RH	
	26571	2	Surge brake assy, LH	
	26574	2	Electric brake assy, RH	Option
	26573	2	Electric brake assy, LH	Option
30	24830	2	Roller bearing - inner	
31	24832	2	Bearing seal axle	
32	60963	12	Stud, wheel - axle	
33	40875	4	U-bolt	
34	23912	2	Spring, 5000lb axle	
35	22877	1	Axle, 5000#, hydraulic	
	22876	1	Axle, 5000#, electric	Option
36	18377	2	Wheel, ST225/75R15	
37	60096	12	Nut, .500-20 wheel lug	
38	26441	8	U-bolt nut, 1/2-20 plated	
39	40874	2	Tie plate	
40	30248	1	Cap, actuator	
-	27976	1	Harness, trailer	Not shown
A	24824B	1	Weldment, flip tongue	Option: adjustable actuator/hitch
B	19379B	1	Weldment, hitch 4 pos. elec	Option: adjustable hitch, elec
C	24304	1	Actuator, hyd srg brk - 2"ball	Option: 2" ball
D	11032	1	Weldment, lunette ring - 3"	Option: non-adjustable
E	12235B	1	Weldment, spare tire holder	Option
F	19417	1	Breakaway Kit	Option
G	19518	1	Coupler, 2" ball for adj hitch	Option: adjustable
H	19519	1	Coupler, 2.31 ball	Option: adjustable
J	19335B	1	Coupler, lunette ring - 3" adj	Option: adjustable
K	60239	2	Screw, .625-11x5 std hex	Option: adjustable
L	60180	4	Washer, flat .625	Option: adjustable
M	60240	2	Nut, .625-11 hx nylock	Option: adjustable
N	40529	1	Actuator, hyd srg brk - adj	Option: adjustable actuator, hyd

TRAILER ASSEMBLY - TANDEM AXLE

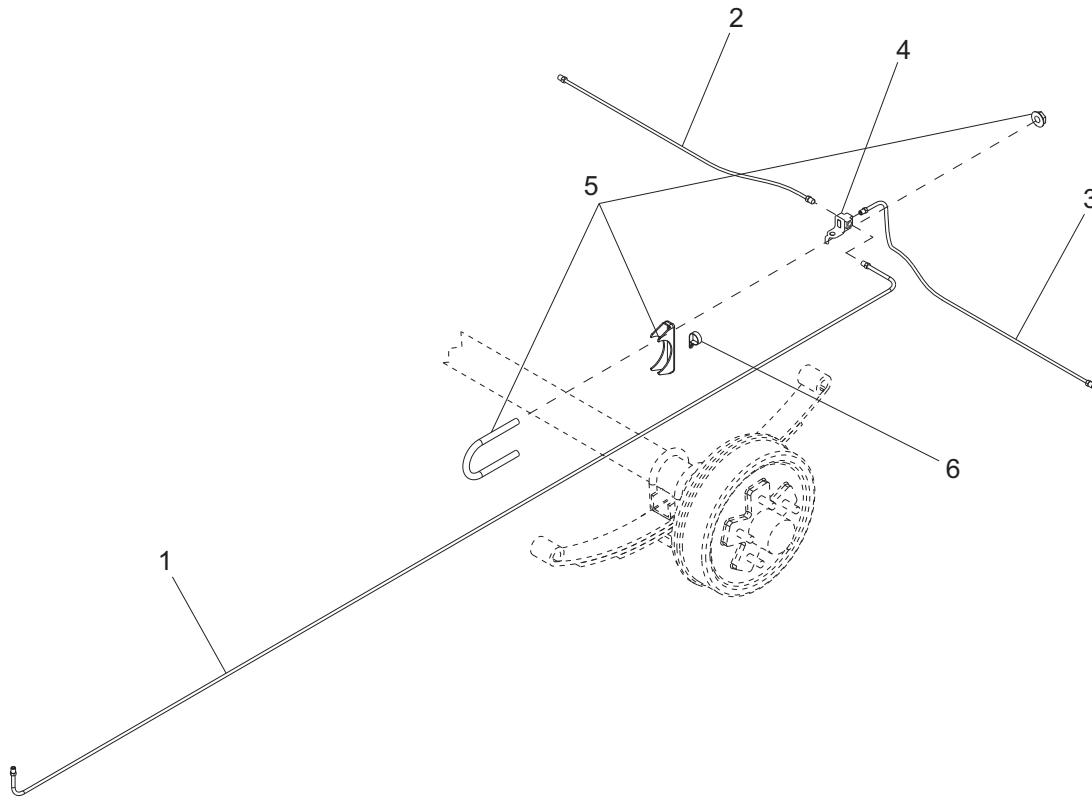


ITEM PART QTY DESCRIPTION NOTES

1	22976B	2	Weldment, fender tandem
2	60140	10	Nut, .375-16 hx hd

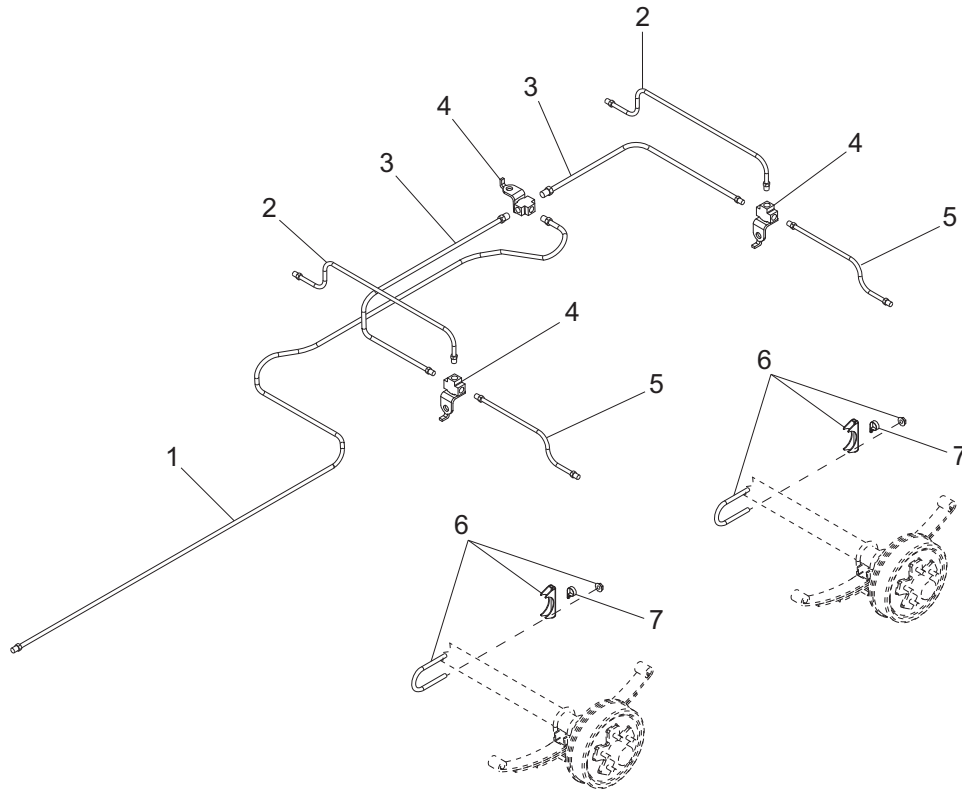
ITEM	PART	QTY	DESCRIPTION	NOTES
3	60386	20	Washer, flat .375	
4	60179	10	Screw, .375-16X.750 hx hd	
5	24789B	1	Weldment, trailer	
6	60503	14	Screw, .562-18 hx shackle	
7	60504	14	Nut, .562-18 hx shackle lock	
8	19637	8	Plate, shackle bracket	
9	40545	2	Equalizer, tandem axle	
10	60383	6	Screw, .750-10X1.500 hx hd	
11	60247	12	Washer, flat .750	
12	60248	6	Washer, split lock .750	
13	15293	6	Nut, .750-10 hx	
14	60307	5	Nut, .500-13 hx nylock	
15	60416	4	Washer, flat .500	
16	23390	1	Harness, trailer extension	
17	16143	5	Clamp, tubing - .500	
18	23367	2	Chain, safety	
19	60659	7	Screw, .500-13x5.0 std hex	
20	40529	1	Actuator, hyd surge brake	Adjustable
21	22340	4	Bushing, 1.00 OD X .75 ID	
22	23256	1	Pin, jack - 2000lb tube mtd	
23	23254	1	Jack, top wind - 2000 lb. tube mtd	
24	24691B	1	Brace, tongue shipping	
25	24824B	1	Weldment, flip tongue	For adjustable actuator/hitch
26	11254	4	Plug, grease cap - for zerk	
27	11253	4	Cap, grease	Plug not included
28	40956	4	Outer bearing	
29	12311	4	Brake drum - 10" 5 on 4.5"	
30	40765	4	10" Surge brake assy RH	
	40764	4	10" Surge brake assy LH	
	26443	4	10" Electric brake assy rht	Option
	26442	4	10" Electric brake assy lft	Option
31	40954	4	Inner bearing	
32	12307	4	Bearing seal DL350	
33	60674	20	Stud, wheel - .500-20 GR8	
34	11277	8	U-bolt 3500lb	
35	11280	4	Leaf spring 3500lb	
36	19421	2	Axle, 3500lb hydraulic	
	19422	2	Axle, 3500lb electric	Option
37	15540	4	Wheel, ST205/75R15, 1820#-6 PR	
38	60096	20	Nut, .500-20 wheel lug	
39	26441	16	1/2-20 U-bolt nut	
40	11278	4	Tie plate, 3500 lb	
41	19335B	1	Coupler, lunette ring - 3" ID	For adjustable actuator/hitch
42	60239	2	Screw, .625-11x5.0 std hex	
43	60180	4	Washer, flat .625	
44	60240	2	Nut, .625-11 hx nylock	
45	30248	1	Cap, actuator	
-	27976	1	Harness, trailer	Not shown
A	24812B	1	Weldment, flip tongue	Option: non-adj actuator/hitch
B	19379B	1	Weldment, hitch 4 pos. elec	Option: adjustable hitch, elec
C	24304	1	Actuator, hyd surge brake	Option: 2" ball
D	19417	1	Breakaway Kit	Option
E	12235B	1	Weldment, spare tire holder	Option
F	19519	1	Coupler, 2.31 ball	Option: adjustable
G	19518	1	Coupler, 2.00 ball	Option: adjustable

BRAKE LINES - SINGLE AXLE



ITEM	PART	QTY	DESCRIPTION	NOTES
1	24688	1	Hose, brake - .188 X 136.00 male/male	
2	40495	1	Line, brake - .188 x 20.00	
3	40494	1	Line, brake - .188 X 30.00	
4	19252	1	Fitting, .188 - brake line T all female	W/bracket
5	61028	1	Clamp, muffler - 2.50 lt duty	U-bolt & saddle
6	61010	1	Clamp, tubing - .375 heavy duty .375 bolt	

BRAKE LINES - TANDEM AXLE



ITEM	PART	QTY	DESCRIPTION	NOTES
1	24688	1	Hose, brake - .188 X 136.00 male/male	
2	40494	2	Line, brake - .188 X 30.00	
3	40817	2	Hose, brake - .188 X 33.00 male/male	
4	19252	3	Fitting, .188 - brake line T all female	W/bracket
5	40495	2	Line, brake - .188 x 20.00	
6	61028	2	Clamp, muffler - 2.50 LT duty	U-bolt & saddle
7	61010	2	Clamp, tubing - .375 heavy duty .375 bolt	

REV: ORG
PART NO: 27936
09.21.12